

V400-R1CF/R1CS

**Ultra small
Multi-code Reader**

USER'S MANUAL

OMRON

Contents

Contents	1
Safety Precautions	5
Regulations and Standards	6
Precautions for Safe Use	7
Precautions for Correct Use	9
How to Use This Manual	11
Visual Aids	13
<hr/>	
Section 1 Product Overview	15
<hr/>	
Features	16
Basic Configuration	18
Part Names and Functions	19
<hr/>	
Section 2 Introduction Procedure	21
<hr/>	
Introduction Flow Chart	22
Preliminary Examination	24
Wiring and Connection	29
Preparation	35
Installation and Reading	40
<hr/>	
Section 3 Basic Knowledge of Operation	43
<hr/>	
Operation Flow Chart	44
Communication Data Format	50
<hr/>	
Section 4 Setting Method	53
<hr/>	
How to Use a Menu Sheet/Command	54
<hr/>	

Menu Sheet/Command List	56
<hr/>	
Section 5 Appendix	97
<hr/>	
Maintenance	98
Troubleshooting	99
Specifications and External Dimension	100
ASCII Code Table	107
Quick-Reference Tables of Data Capacities	108

READ AND UNDERSTAND THIS DOCUMENT

Please read and understand this document before using the products. Please consult your OMRON representative if you have any questions or comments.

WARRANTY

OMRON's exclusive warranty is that the products are free from defects in materials and workmanship for a period of one year (or other period if specified) from date of sale by OMRON.

OMRON MAKES NO WARRANTY OR REPRESENTATION, EXPRESS OR IMPLIED, REGARDING NON-INFRINGEMENT, MERCHANTABILITY, OR FITNESS FOR PARTICULAR PURPOSE OF THE PRODUCTS. ANY BUYER OR USER ACKNOWLEDGES THAT THE BUYER OR USER ALONE HAS DETERMINED THAT THE PRODUCTS WILL SUITABLY MEET THE REQUIREMENTS OF THEIR INTENDED USE. OMRON DISCLAIMS ALL OTHER WARRANTIES, EXPRESS OR IMPLIED.

LIMITATIONS OF LIABILITY

OMRON SHALL NOT BE RESPONSIBLE FOR SPECIAL, INDIRECT, OR CONSEQUENTIAL DAMAGES, LOSS OF PROFITS OR COMMERCIAL LOSS IN ANY WAY CONNECTED WITH THE PRODUCTS, WHETHER SUCH CLAIM IS BASED ON CONTRACT, WARRANTY, NEGLIGENCE, OR STRICT LIABILITY.

In no event shall responsibility of OMRON for any act exceed the individual price of the product on which liability is asserted.

IN NO EVENT SHALL OMRON BE RESPONSIBLE FOR WARRANTY, REPAIR, OR OTHER CLAIMS REGARDING THE PRODUCTS UNLESS OMRON'S ANALYSIS CONFIRMS THAT THE PRODUCTS WERE PROPERLY HANDLED, STORED, INSTALLED, AND MAINTAINED AND NOT SUBJECT TO CONTAMINATION, ABUSE, MISUSE, OR INAPPROPRIATE MODIFICATION OR REPAIR.

SUITABILITY FOR USE

THE PRODUCTS CONTAINED IN THIS DOCUMENT ARE NOT SAFETY RATED. THEY ARE NOT DESIGNED OR RATED FOR ENSURING SAFETY OF PERSONS, AND SHOULD NOT BE RELIED UPON AS A SAFETY COMPONENT OR PROTECTIVE DEVICE FOR SUCH PURPOSES. Please refer to separate catalogs for OMRON's safety rated products.

OMRON shall not be responsible for conformity with any standards, codes, or regulations that apply to the combination of products in the customer's application or use of the product.

At the customer's request, OMRON will provide applicable third party certification documents identifying ratings and limitations of use that apply to the products. This information by itself is not sufficient for a complete determination of the suitability of the products in combination with the end product, machine, system, or other application or use.

The following are some examples of applications for which particular attention must be given. This is not intended to be an exhaustive list of all possible uses of the products, nor is it intended to imply that the uses listed may be suitable for the products:

- Outdoor use, uses involving potential chemical contamination or electrical interference, or conditions or uses not described in this document.

- Nuclear energy control systems, combustion systems, railroad systems, aviation systems, medical equipment, amusement machines, vehicles, safety equipment, and installations subject to separate industry or government regulations.
- Systems, machines, and equipment that could present a risk to life or property.

Please know and observe all prohibitions of use applicable to the products.

NEVER USE THE PRODUCTS FOR AN APPLICATION INVOLVING SERIOUS RISK TO LIFE OR PROPERTY WITHOUT ENSURING THAT THE SYSTEM AS A WHOLE HAS BEEN DESIGNED TO ADDRESS THE RISKS, AND THAT THE OMRON PRODUCT IS PROPERLY RATED AND INSTALLED FOR THE INTENDED USE WITHIN THE OVERALL EQUIPMENT OR SYSTEM.

PERFORMANCE DATA

Performance data given in this document is provided as a guide for the user in determining suitability and does not constitute a warranty. It may represent the result of OMRON's test conditions, and the users must correlate it to actual application requirements. Actual performance is subject to the OMRON Warranty and Limitations of Liability.

CHANGE IN SPECIFICATIONS

Product specifications and accessories may be changed at any time based on improvements and other reasons.

It is our practice to change model numbers when published ratings or features are changed, or when significant construction changes are made. However, some specifications of the product may be changed without any notice. When in doubt, special model numbers may be assigned to fix or establish key specifications for your application on your request. Please consult with your OMRON representative at any time to confirm actual specifications of purchased products.

DIMENSIONS AND WEIGHTS

Dimensions and weights are nominal and are not to be used for manufacturing purposes, even when tolerances are shown.

ERRORS AND OMISSIONS

The information in this document has been carefully checked and is believed to be accurate; however, no responsibility is assumed for clerical, typographical, or proofreading errors, or omissions.

PROGRAMMABLE PRODUCTS

OMRON shall not be responsible for the user's programming of a programmable product, or any consequence thereof.

COPYRIGHT AND COPY PERMISSION

This document shall not be copied for sales or promotions without permission.

This document is protected by copyright and is intended solely for use in conjunction with the product. Please notify us before copying or reproducing this document in any manner, for any other purpose. If copying or transmitting this document to another, please copy or transmit it in its entirety.

Safety Precautions

● Meanings of safety symbols

In this operation manual, precautions are indicated using the following symbols and signal words to ensure safe use of the V400-R1CF/R1CS. The precautions indicated by these symbols and signal words are important to ensure safety and must be observed.

The symbols and signal words are as follows:



Indicates a potentially hazardous situation which, if not avoided, will result in minor or moderate injury, or may result in serious injury or death. Additionally there may be significant property damage.

● Meanings of alert symbols



Indicates general prohibitions for which there is no specific symbol.

● Warning display



This product is not designed or rated for ensuring safety of persons.
Do not use it for such purposes.



Regulations and Standards

This product complies with the following standards.

LED safety standard	IEC 60825-1+A2: 2001 Class 1 JIS C 6802: 2005 Class 1
EC directive	No. 2004/108/EC
EN standard	EN61326

Precautions for Safe Use

Observe the following precautions to ensure safe use of the product.

1. Installation Environment

- Do not use the product in environments containing flammable or explosive gases.
- Do not use the product in environments containing corrosive or combustible gases.
- Do not use the product in environments containing dust, salt, or metallic powders.
- Do not use the product in environments containing droplets, water or mist, oil or chemical agents.
- Do not use the product in environments that may be affected by a CRT's flashing or other ambient light.
- Do not install or use the product outdoors.
- For the purpose of ensuring safe operation and maintenance, do not install the product close to high-voltage devices or electrically powered devices.

2. Power Supply and Wiring

- To assure noise and insulation resistance, be sure to use S8VS-01505 (made by OMRON) as a driving power supply.
- Do not connect a voltage or AC power supply that has a voltage exceeding the rating voltage (5 V \pm 10%).
- Avoid reverse connection of power supply. Do not short circuit a load on OK/NG output signal (open collector).
- Avoid applying a load that exceeds the rating.
- Be sure to turn the power OFF before connecting or disconnecting a cable. Connecting or disconnecting a cable while the power is ON may cause failure.
- Connect different cables from high-voltage or power cables to the product. If the same cable or duct is used, electromagnetic induction may result, which may result in malfunction or damage.
- Tighten the fixing screws at the torque specified in this manual.

3. Communication with Upper Equipment

- Check that the product has started up, and then start communication with upper equipment.
- Indefinite signals may be generated from the upper interface while the product starts up. Clear the receive buffer of the devices before starting initial operation.

4. Other

- Do not use the product in a safety circuit for nuclear or life-support systems.
- Never attempt to disassemble, repair, modify, deform by applying pressure, or burn the product.
- Dispose of the product as industrial waste.
- If the product becomes extremely hot, or abnormal odors or smoke are emitted, stop using the product immediately, turn the power OFF, and consult with your OMRON representative.

Precautions for Correct Use

Always observe the following precautions to prevent operation failures, malfunctions, and adverse effects on performance and equipment.

1. Installation location

- The product must not be installed in a place:
 - where ambient temperature is outside the range defined in the specifications,
 - where a rapid temperature change (dew condensation) occurs,
 - where ambient humidity is outside the range defined in the specifications,
 - where direct vibration or shock may affect the product,
 - where exposed to intense ambient light (laser, arc welding, or UV light),
 - where exposed to direct sunlight or heat from heating appliances, and
 - where a strong magnetic or electric field exists.

- Because of the protection rating described in the manual, avoid using locations containing:
 - corrosive or combustible gases,
 - dust, salt, or metallic powders,
 - droplets, water mist, oil or chemical agents.

2. Power supply, connection, and wiring

- Be sure to use S8VS-01505 (made by OMRON) as a driving power supply.
- Do not install the product in a location where a high-voltage device is installed.
- Be sure to use the supplied insulation board to assure the noise resistance.
- After connecting the cables, check that the correct power supply is used, that there is no load short-circuiting or other inappropriate connections, and that the load current is correct before turning the power ON. Faulty wiring may be the cause of failure.
- Use a wrist strap or other similar device to avoid electrostatic charge when you touch terminals and signal lines within a connector, and to avoid damage due to static electricity.
- Try to keep the length of the power cable to a minimum (less than 3 m).

3. Labels

- For labels with a highly gloss surface, reading errors may occur because of regular reflection of the LED light. If this occurs, provide a skew angle of 15° against the label.

4. Cleaning of the reading window

- Install the product so that the front area of the reading window is free of dust and oil droplets.

If dust or oil droplets are found, clean the surface using the following method.

- Blow large particles off using a blower brush (for camera lenses).

Do not blow using your own breath.

- Gently wipe off small particles using a soft cloth (lens wiper) moistened with a small amount of alcohol. Avoid vigorous wiping. Scratches on the reading window may result in reading errors.

How to Use This Manual

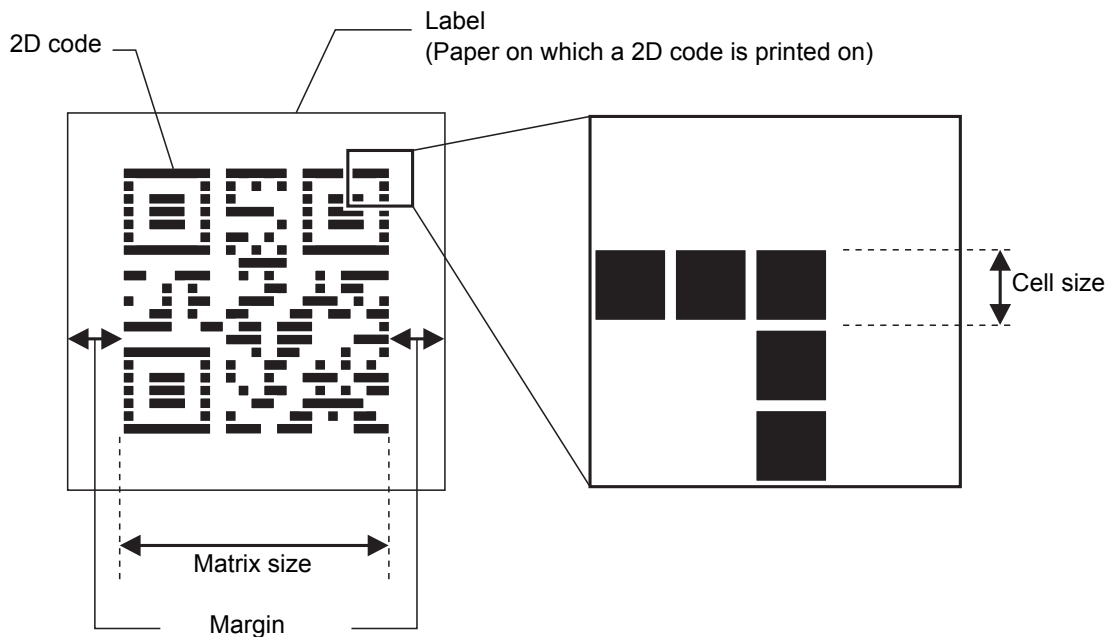
Part names of a code

In this manual, each part of a code is described as follows.

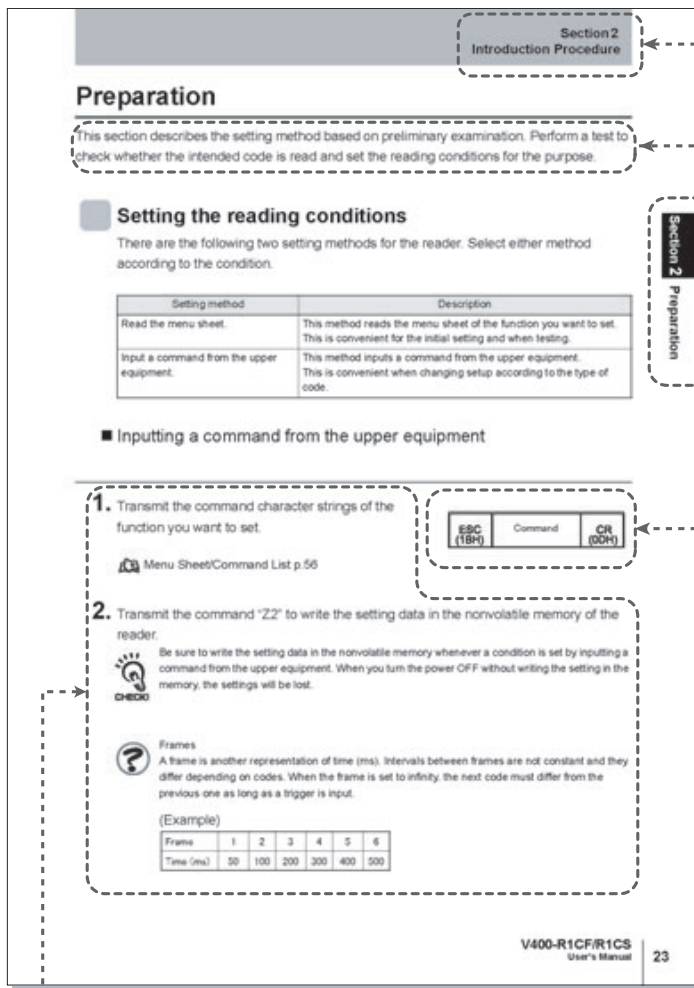
Bar code



2D code



Page format



Title of each section

Overviews and points

Index label

Indicates the current section and the title of the section. You can quickly reach the page containing the information you need.

Illustration

Operation procedure and additional explanation

Shows the operation procedure.

Tips and reference pages that may be useful during operation are indicated with a mark.



* This page does not actually exist.

Visual Aids



CHECK!

Indicates points that are important for using product functions or in application procedures.



Indicates page numbers providing related information.



Indicates information helpful for problem solving or explanation of technical terms.

Section 1

Product Overview

This section explains the features, ratings, and performance of this product.

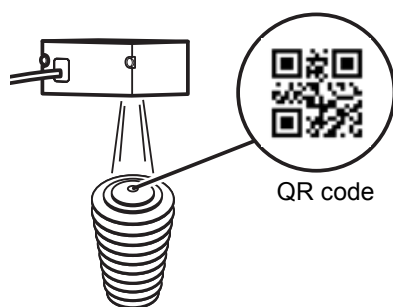
▣ Features	16
▣ Basic Configuration	18
▣ Part Names and Functions	19

Features

This product is an ultra-compact, setup-free multi-code reader that reads most 2D and 1D symbols on paper or labels. Various types of information can be managed efficiently by using it with a PC and programmable controllers.

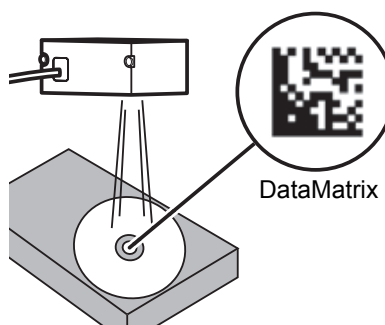
- A setup-free multi-code reader that recognizes most 1D and 2D codes printed on paper or labels

It can read various 1D and 2D codes without requiring special settings.



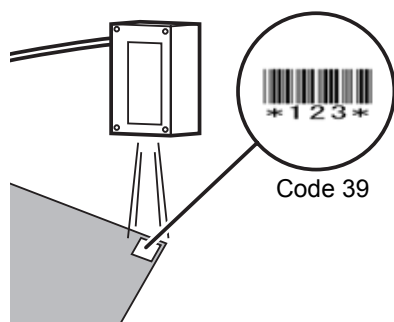
QR code

(Automobile part)



DataMatrix

(HDD)

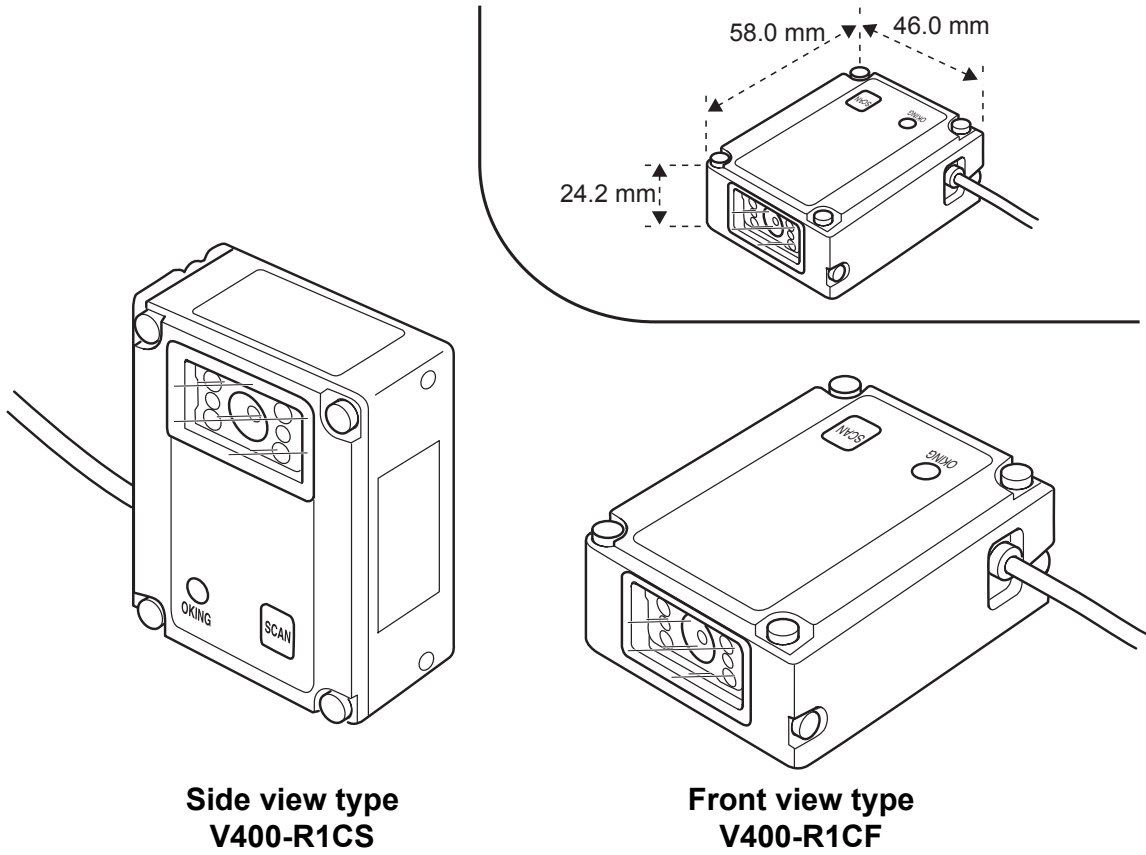


Code 39

(PCB)

- A 1.3-mega pixel (SXGA) CMOS image sensor
With a vertical resolution of 1024 pixels, difference in code position is compensated. Bar codes containing narrow bars (slim bars) with a width down to 0.1 mm and 2D codes as small as 0.169 mm can be read.
- Green LED aiming function
The green LED aiming function quickly recognizes the area to be read.

- Two types of ultra-compact body for highly flexible installation
The main body is very small, only 58.0 × 46.0 × 24.2 mm.
The front and side view types are available to suit your installation environment.



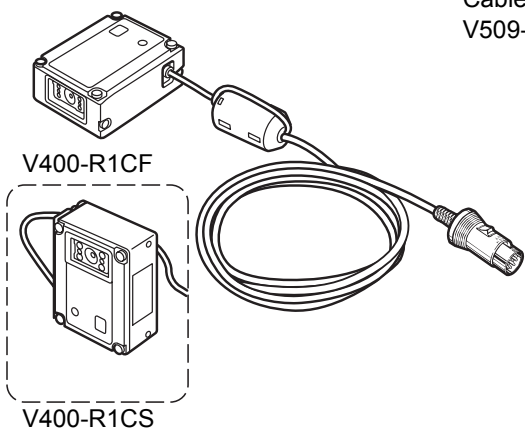
Basic Configuration

This product is used by connecting with upper equipment such as a PC and programmable controllers.

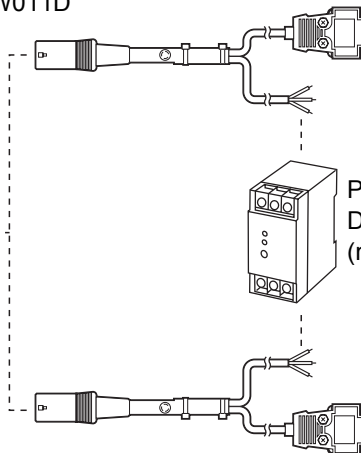
The upper equipment receives the information this product reads, and records and verifies it with the registered information.

The cable has a connector at the end. Use the appropriate connecting cable for the upper equipment.

Multi-code reader
V400-R1CF/R1CS



Cable for connecting PC/AT compatible
V509-W011D

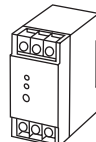


PC/AT compatible

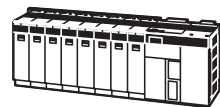


p.31

Power supply (5 VDC)
Dedicated product: S8VS-01505
(made by OMRON)



Programmable controller



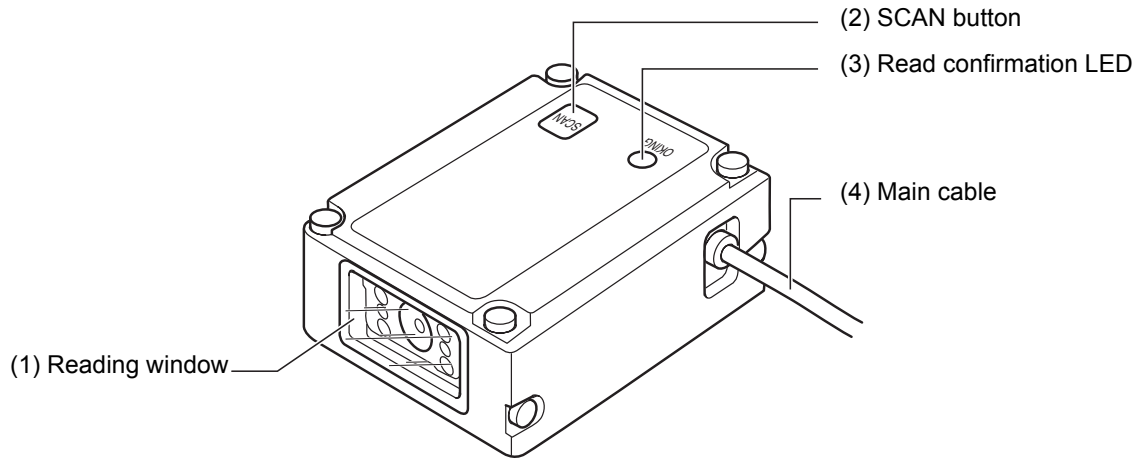
Programmable controller made by OMRON
Connecting cable
V509-W011

p.32

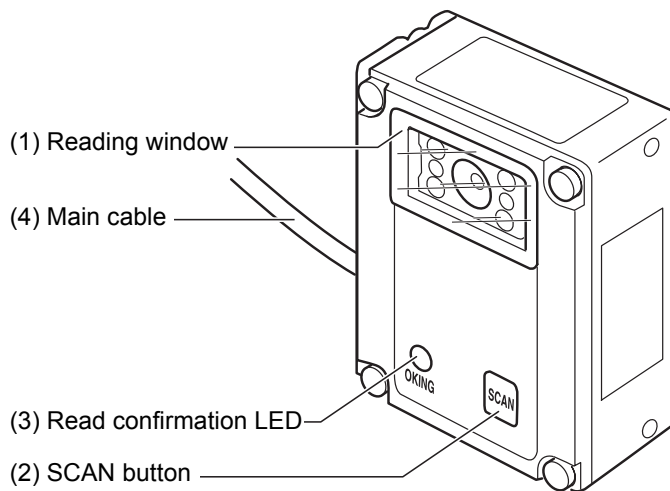
Part Names and Functions

This section explains the names and functions of each part.

V400-R1CF (Front view type)



V400-R1CS (Side view type)



No.	Part name	Function
(1)	Reading window	Aiming light and illumination LED light is emitted from here for capturing images.
(2)	SCAN button	The button for performing a reading test. Pressing it once performs reading once.
(3)	Read confirmation LED	Illuminates to indicate a successful read.
(4)	Main cable	Connected to a cable for connecting PC/AT compatible or a programmable controller made by OMRON. The length is 1.5 m.

MEMO

Section 2

Introduction Procedure

A flow chart of preliminary examination, installation, and introduction of the product is as shown below.

☒ Introduction Flow Chart	22
☒ Preliminary Examination	24
☒ Wiring and Connection	29
☒ Preparation	35
☒ Installation and Reading	40

Introduction Flow Chart

A flow chart of preliminary examination, installation, and introduction of the product is as shown below.

Preliminary examination

Check the type, width, height, and the number of digits of 2D codes and bar codes.

- p.24 Supported code list
- p.26 Reading range performance
- p.27 Reading angle performance



Wiring and connection

Complete wiring.

- p.29 Pin arrangement and input/output circuit

Connect peripheral equipment.

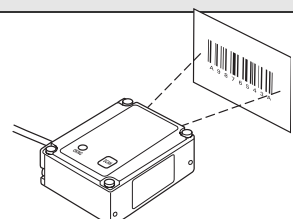
- p.31 Example of connection with a PC
- p.32 Example of connection with programmable controller (CS1)

Turn on the power switch.

Preparation

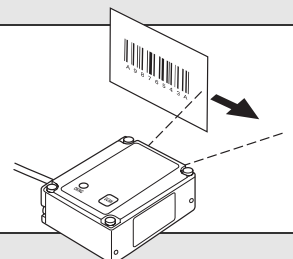
Press the SCAN button to check whether the code is read.

- p.35 Testing



Investigate the reading timing.

- p.36 Investigation into the reading timing
- p.44 Basic operation flow chart




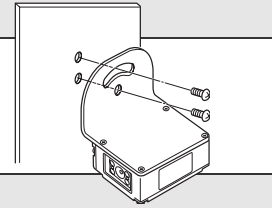
Set the reading condition corresponding to the purpose.

- p.37 Setting the reading conditions
- p.56 Menu Sheet/Command List


Installation
and reading

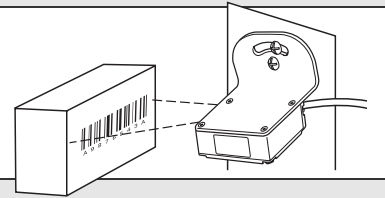
Install the reader.

 p.40 Installation



Test in the actual usage environment.

 p.35 Testing



Execute reading.

In case of trouble:




**I do not know the
communication specification.**

 p.50 Communication Data Format



**I cannot understand the
operation flow.**

 p.44 Operation Flow Chart

Preliminary Examination

The following are typical specifications you should consider. Check the type, width, height, and the number of digits of 2D codes and bar codes while considering the supported codes, reading range performance, and reading angle performance.

Supported code list

■ 2D code

■ DataMatrix



■ ECC200
10 × 10 to 64 × 64
8 × 18 to 16 × 48

■ QR code

QR code



■ Models 1 and 2
21 × 21 to 57 × 57
(Versions 1 to 10)

Micro QR code



11 × 11 to 17 × 17

■ PDF417 code



■ Bar codes

■ JAN/EAN and UPC



▪ CODE39



▪ STF



▪ NW-7



▪ CODE93



▪ ITF



▪ CODE128



■ RSS codes

▪ RSS-14 standard



▪ RSS-14 truncated



▪ RSS-14 stacked



▪ RSS-Limited



▪ RSS-Expanded



Reading range performance

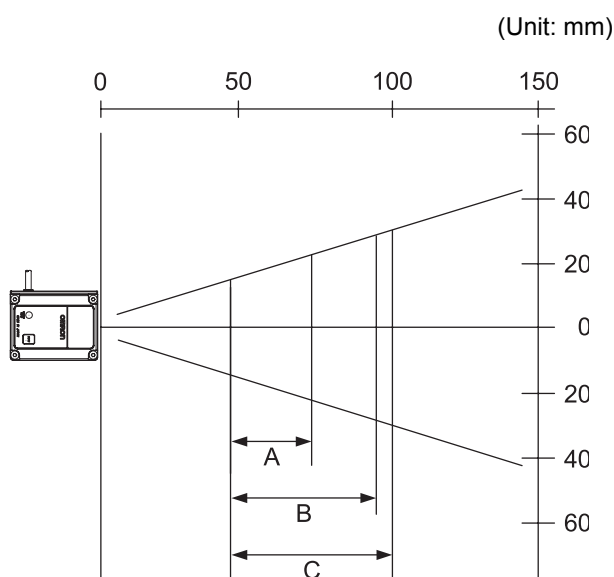
Explained with examples of following conditions:

- Contrast: MRD 63% (PCS = 0.9)
- Installation condition: Pitch angle $\alpha = 0^\circ$, skew angle $\beta = 15^\circ$
Tilt angle $\gamma = 0^\circ$, curvature $R = \infty$
- Reading rate: 70% or more in 10 tries



The reading range is a reference value, not a guaranteed value.

2D code



(Unit: mm)

	Cell size	Reading distance	Field-of-view size at reading distance
A	0.169	45.0 to 70.0	31.5 × 21.5 to 47.0 × 32.0
B	0.339	45.0 to 90.0	31.5 × 21.5 to 59.3 × 40.4
C	0.508	45.0 to 100.0	31.5 × 21.5 to 65.4 × 44.6

Bar code (typical example)

(Unit: mm)

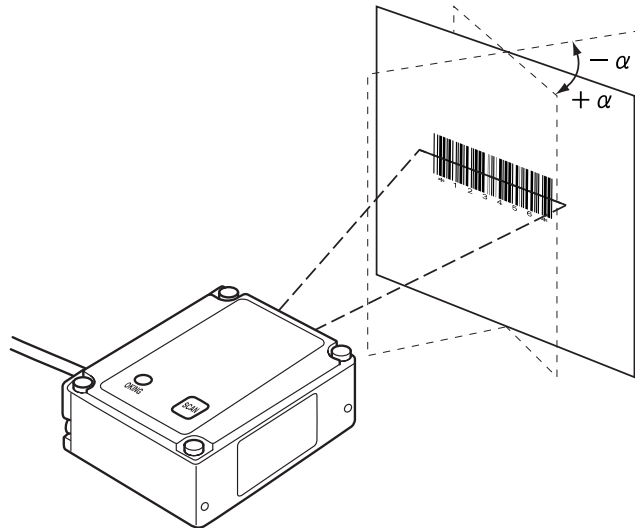
Code	Narrow bar width	Reading distance
Code39	0.1	45.0 to 70.0
Code128	0.2	45.0 to 80.0
JAN13	0.39	50.0 to 100.0

Reading angle performance

■ Pitch angle (α)

In the following conditions, readable up to $\alpha = 50^\circ$ on either side.

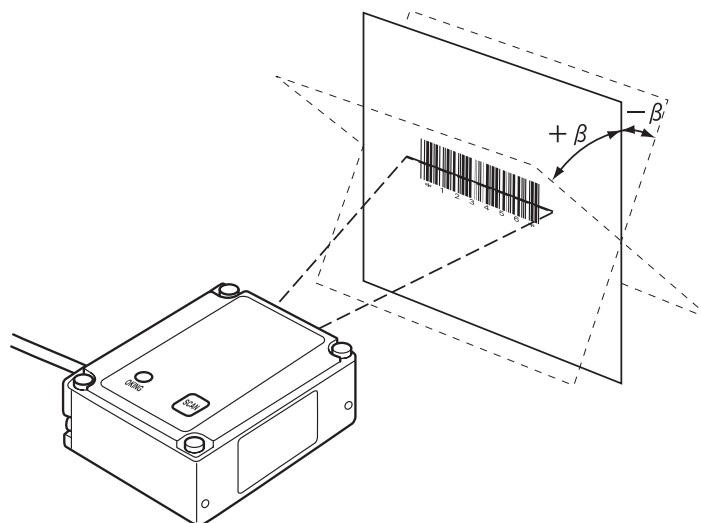
- Code: Resolution = 0.254 mm, CODE39 (2 digits), MRD 63% (PCS = 0.9)
- Reading distance: 57 mm from the case end
- Installation condition: Skew angle $\beta = 15^\circ$, tilt angle $\gamma = 36^\circ$, curvature $R = \infty$



■ Skew angle (β)

In the following conditions, readable up to $\beta = +/-50^\circ$.

- Code: Resolution = 0.254 mm, CODE39 (2 digits), MRD 63% (PCS = 0.9)
- Reading distance: 57 mm from the case end
- Installation condition: Pitch angle $\alpha = 0^\circ$, tilt angle $\gamma = 360^\circ$, curvature $R = \infty$



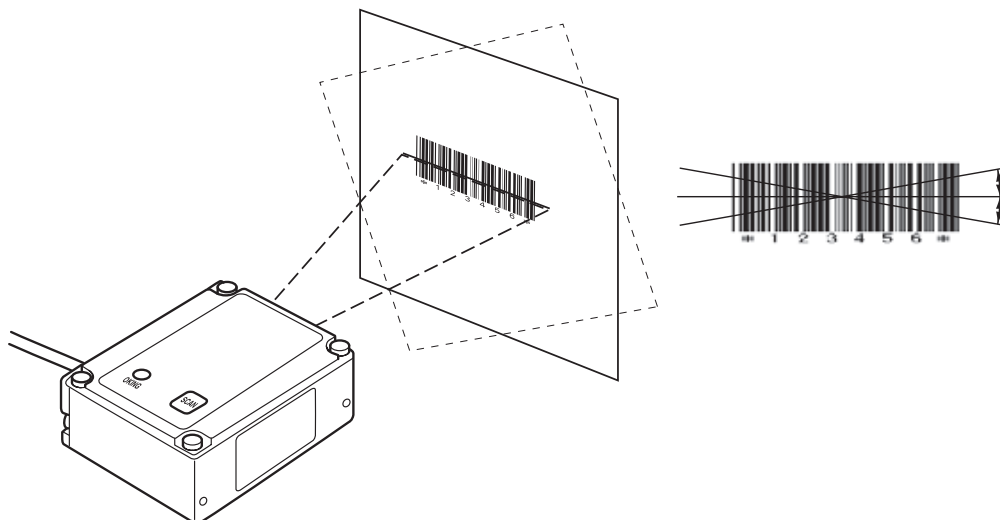
CHECK!

Reading performance for bar codes on a highly gloss surface such as glossy paper or a card case may be impaired because reflected illumination LED light or room illumination light enters the reading window.

If reflected illumination LED light is the culprit, reading performance can be improved by providing an angle of about 15° in the skew direction or turning off the illumination LED light.

■ Tilt angle

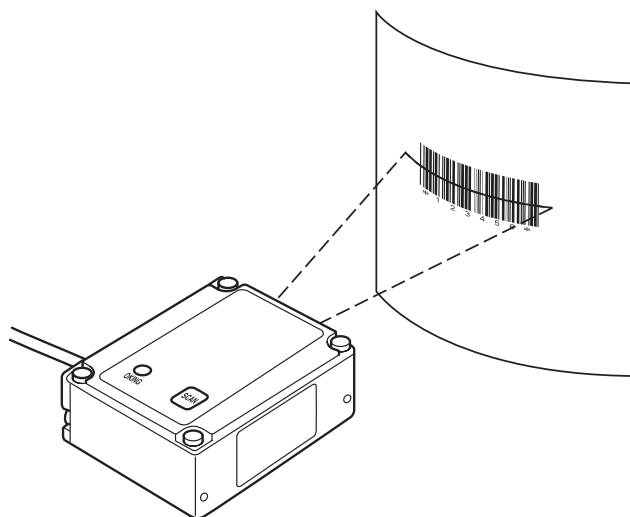
Readable at all angles.



■ Curvature

In the following conditions, 8-digit JAN codes can be read within a range of $R \geq 15$ mm and 13-digit JAN codes can be read within a range of $R \geq 20$ mm.

- Code: 8-digit JAN, resolution = 0.26 mm, PCS = 0.9
13-digit JAN, resolution = 0.39 mm, PCS = 0.9
- Reading distance: 57 mm from the case end
- Installation condition: Pitch angle $\alpha = 0^\circ$, skew angle $\beta = 15^\circ$, tilt angle $\gamma = 360^\circ$

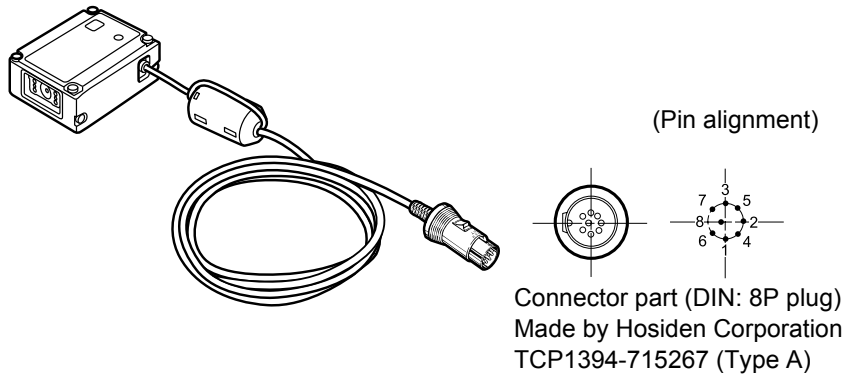


Wiring and Connection

This section explains the pin arrangement, the input/output circuit, and the method of connection to upper equipment.

Pin arrangement and input/output circuit

Pin arrangement



Connection with upper equipment p.31, p.32

Wire color	Pin No.	Signal name	Function	Signal direction	
				Reader	Upper equipment
Green	1	SD	Transmission data	→	
White	2	RD	Received data	←	
Blue	3	RS	Transmission request	→	
Gray	4	CS	Transmission allowed	←	
Brown	5	TRIG	External trigger signal	←	
-	6	NC	Not connected		
Black	7	S.GND	0 V	←	External →
Red	8	VCC	Power supply	←	External →
Yellow	- (Note)	OK	READ OK output	→	External
Orange	- (Note)	NG	READ NG output	→	External

When you make a connection cable, use the following connectors.

Recommended parts for the connector

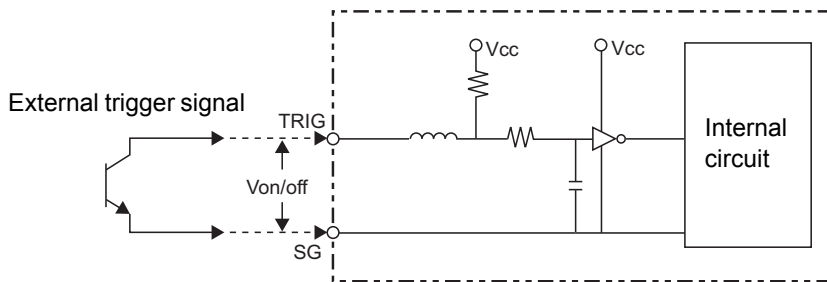
Usage	Manufacturer	Model
For cable relay	Hosiden Corporation	TCS8587-0170477
For panel installation	Hosiden Corporation	TCS1080-0120177



CHECK!

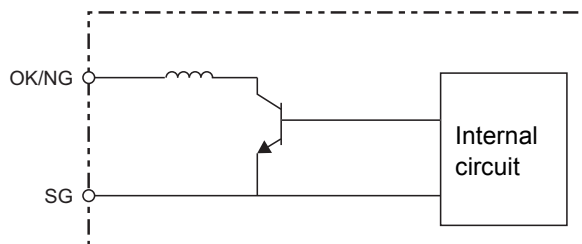
The OK and NG output lines are not connected to the DIN 8-pin connector. To use the OK and NG outputs, cut the cables.

- Input/output circuit
 - External trigger signal input circuit



Item	Minimum value	Maximum value
Terminal voltage V_{on} when a transistor is turned on	0 V	1.3 V
Terminal voltage V_{off} when a transistor is turned off	2.5 V	V_{cc}

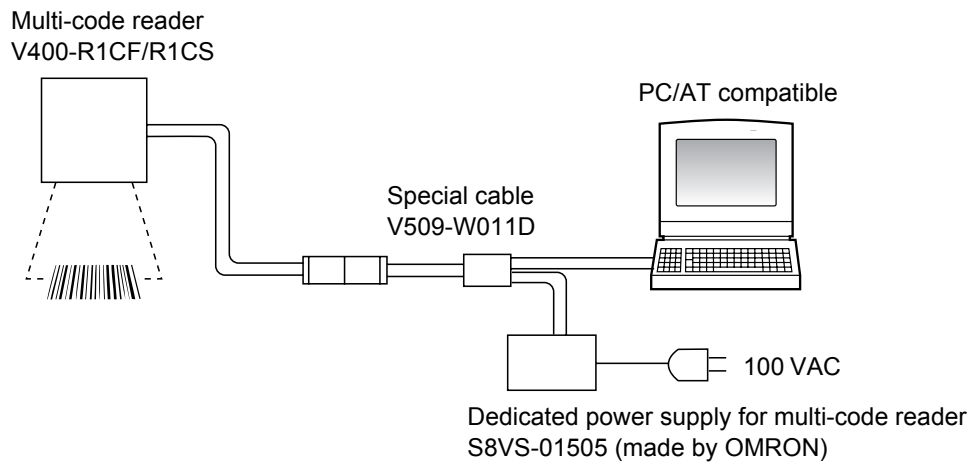
- READ OK/NG signal output circuit



Item	Specification
Output system	NPN open collector
Rated load	24 VDC 30 mA
Leak current at OFF	0.5 mA or less
Residual voltage at ON	1.0 V or less

Example of connection with a PC

Example of connection with PC/AT compatible is explained.



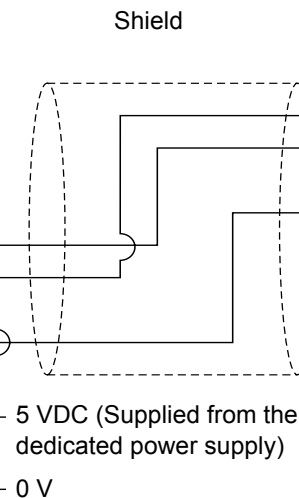
■ Wiring

Reader side

Pin No.	Wire color	Signal name
5	Brown	TRIG
-	Yellow	OK
-	Orange	NG
4	Gray	CS
3	Blue	RS
2	White	RD
1	Green	SD
8	Red	VCC
7	Black	S.GND
Shield		F.GND

Upper equipment side
(Example with PC/AT compatible)

Pin No.	Signal name
1	-
2	RD
3	SD
4	ER
5	SG
6	DR
7	CS
8	RS
9	-
Cover	Shield



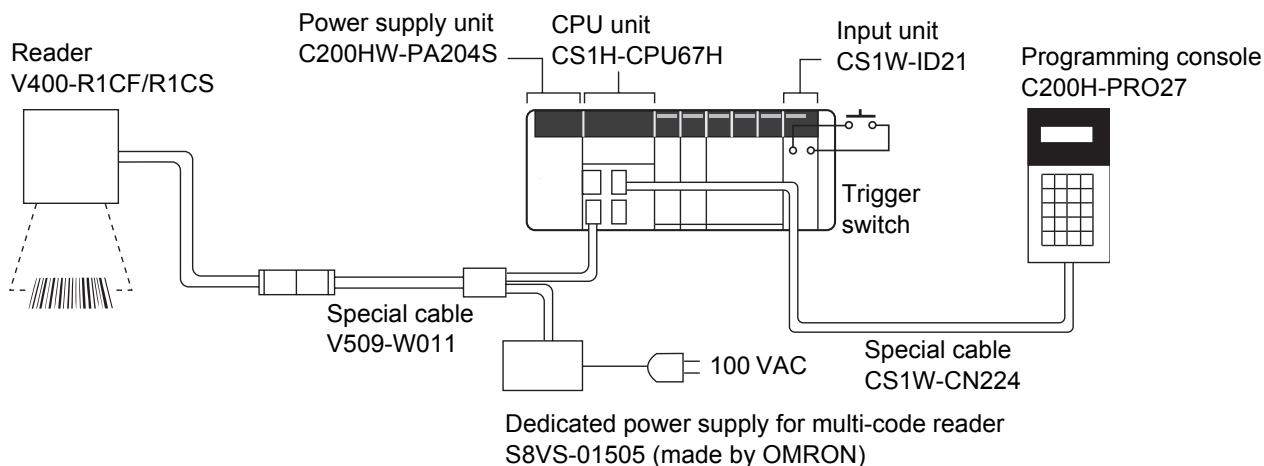
Communication with upper equipment

Check that the product has started up, and then start communication with upper equipment.

Indefinite signals may be generated from the upper interface while the product starts up. Clear the receive buffer of the devices before starting initial operation.

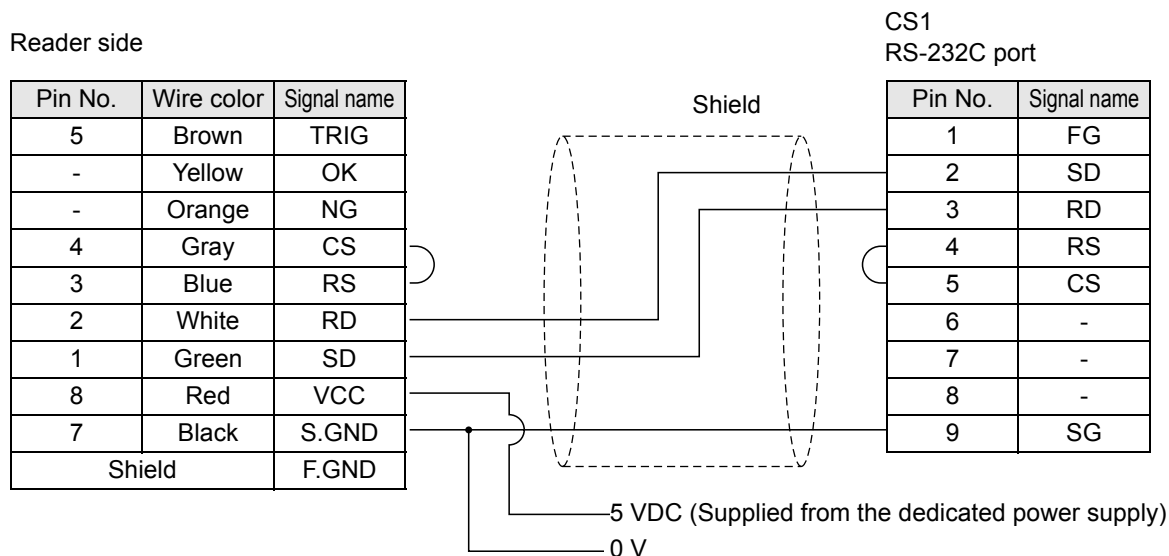
Example of connection with programmable controller (CS1)

Connection with programmable controller CS1 (made by OMRON) is explained.



Connect the connection cable of this reader to RS-232C port of the CPU unit.

■ Wiring



■ Settings on the reader

Specify the settings as follows to establish communication with the programmable controller.

Setting item	Setting content	Command
Communication speed	9600 bps	(Factory default setting)
Data length	8 bits	(Factory default setting)
Parity	None	(Factory default setting)
Stop bit	1 bit	(Factory default setting)
Header	None	(Factory default setting)
Footer	CR	(Factory default setting)
Reading valid time	Trigger + 2 sec.	(Factory default setting)
Process failed reading	Transmits "NL" when no label is found Transmits "ND" when reading has failed	TH0N0L TION0D

■ Settings on OMRON programmable controller CS1

For information about the detailed setting method, refer to the operation manual of your programmable controller.

Setting item	Setting content
Dip switch of CPU unit	OFF
Program controller system settings	160[830E]
	161[0006]
	162[0000]
	164[000D]
	165[0100]
DM setting	Set [1B5A] to DM00100 (Memorize "[ESC]Z" of the ASCII code)

■ Program controller system settings - Details

160	b15	Presence of the arbitrary communication setting	"1"	Arbitrary setting
	b11-8	Serial communication mode	"11"	Nonprocedural
	b3	Data length	"1"	8 bits
	b2	Stop bit	"1"	1 bit
	b1-0	Parity	"01"	None
161	b7-0	Communication speed	0×06	9600 bps
162	b15-0	Transmission delay time	0×0000	No delay
164	b15-8	Start code	0×00	None
	b7-0	End code	0×0D	CR
165	b12	Presence of the start code	"0"	None
	b9-8	Presence of the end code	"01"	The end code is present

* 0×00 means a hexadecimal number, and "0" means a binary number.

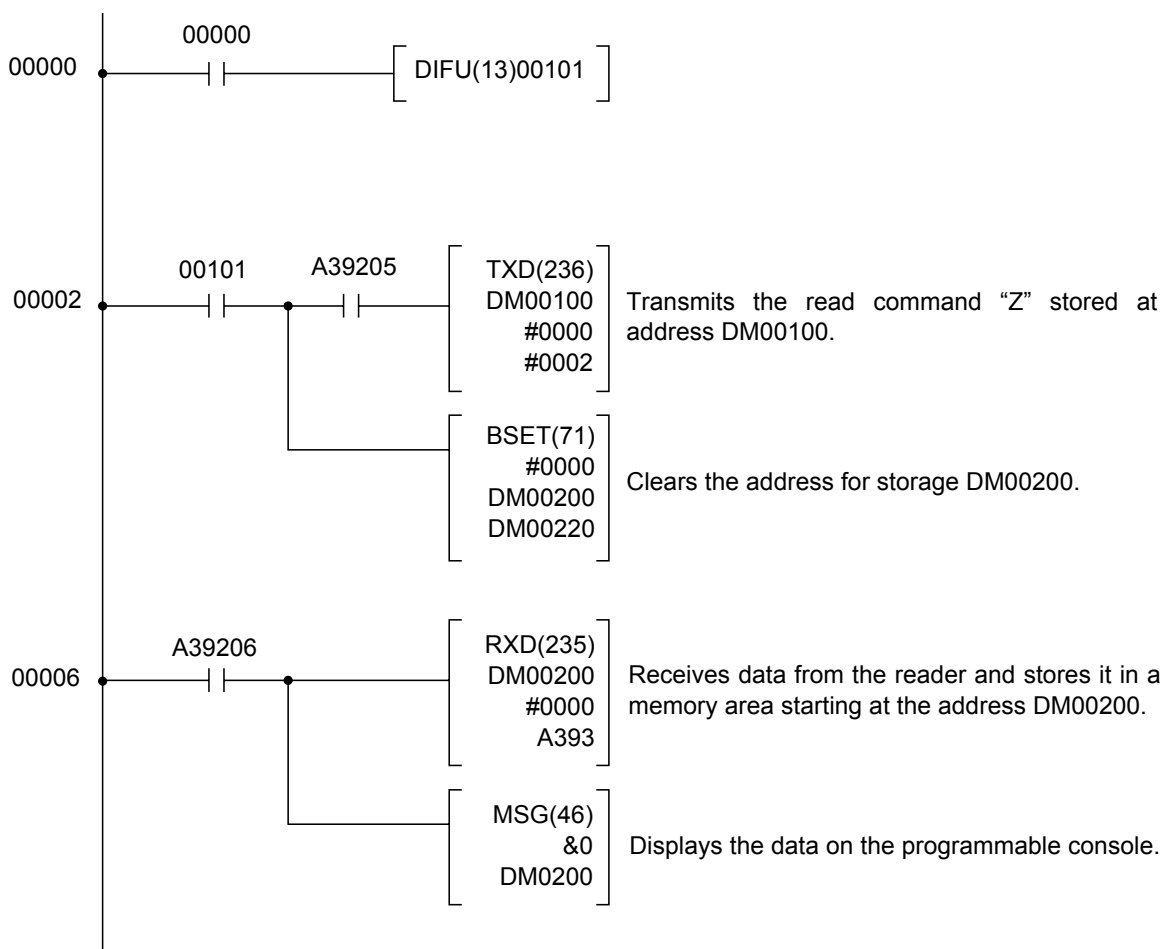
■ Example of program

When the trigger switch is turned on, the reader executes the reading operation and stores the read data to DM (data memory) of CS1.

The content is displayed on the programming console.

When the code cannot be read within the duration which is set beforehand (2 sec. in this example), "NL" or "ND" is transmitted.

To check the read data with the programming console, press "Clear > FUN > Monitor" in this order.



Communication with upper equipment

Check that the product has started up, and then start communication with upper equipment.

Indefinite signals may be generated from the upper interface while the product starts up. Clear the receive buffer of the devices before starting initial operation.

Preparation

This section describes the setting method based on preliminary examination. Perform a test to check whether the intended code is read and set the reading conditions for the purpose.

Testing

You can check how stably the intended code can be read.
Read the code at rest ten times and calculate the reading rate.

■ Entering the reading rate measurement mode

1. Place the code in the reading position.

2. Input the command “[XU8”.

The reader enters the reading rate measurement mode.

The reading rate in every 10 reading operations is measured.

3. To exit the reading rate measurement mode, restart the reader.

The reader returns to the normal measurement mode.

Do not execute write command “Z2” to nonvolatile memory.

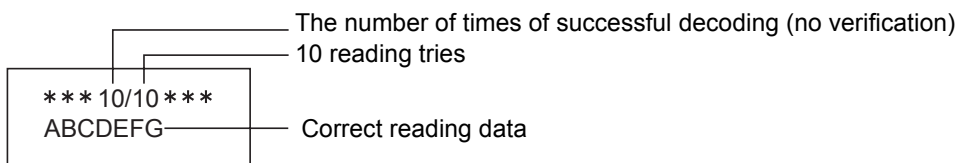
A sample setting condition is overwritten and stored, which erases the already set reading condition.



CHECK!

■ Output format

In reading rate measurement mode, the reading rate in every 10 reading operations is output continuously to the upper equipment.



Communication data format


Header	SPACE (20H)	*	*	*	1 (31H)	0 (31H)	/ (2FH)	1 (31H)	0 (31H)	SPACE (20H)	*	*	*	SPACE (20H)	Footer
--------	----------------	---	---	---	------------	------------	------------	------------	------------	----------------	---	---	---	----------------	--------

Header	Correct reading data	Footer
--------	----------------------	--------

Footer

Investigation into the reading timing

This reader uses the “trigger reading” system. Trigger reading uses the following trigger input systems and reading operations.

 Setting method p.68

Reading system		Trigger reading
		Reading is executed by applying a reading trigger from outside.
Trigger input method	External trigger signal	Reading starts when the external trigger signal is turned on. The “Trigger controlled system” performs reading while the trigger is ON, and the “Effective duration designation system” performs reading only for the predetermined effective duration (*) that starts when the trigger is ON.
	RS-232C command	Reading starts when the communication command is sent from the upper equipment. After receiving the command, the reader performs reading only for the effective duration (*) you have set beforehand.
Reading operation	Single reading	When the reading succeeds, the reader outputs the data and finishes the reading operation.
	Plural reading	The reader reads codes continuously while the trigger is ON or for the effective duration (*). When the first reading is completed, the data is output once. While the reader is reading the same code continuously, it outputs no data. The reader outputs data only when the new data differs from that of the previous code.
	Continuous reading	The reader reads codes continuously while the trigger is ON or for the effective duration (*). The reader outputs data even if it reads the same code.

* Effective duration of reading

When the trigger input method is external trigger signal effective duration designation system or RS-232C command, effective duration setting is required beforehand. The effective duration is set between 0 and 10 seconds.

 Effective duration setting method p.69

Setting the reading conditions

There are the following two setting methods for the reader. Select either method according to the condition.

Setting method	Description
Read the menu sheet.	This method reads the menu sheet of the function you want to set. This is convenient for the initial setting and when testing.
Input a command from the upper equipment.	This method inputs a command from the upper equipment. This is convenient when changing setup according to the type of code.

■ Read the menu sheet.

The menu sheet is a special code used to set the reader function. Setting can be changed by reading this menu sheet.

1. Read the menu sheet "ZZ" that starts/ends the setting procedure.
The buzzer sounds continuously, indicating that the reader has entered the setting mode.

_ ZZ _

2. Read the menu sheet "U2" that restores the factory default settings.

_ U2 _

3. Read the menu sheet for the setting item you want to change.

 Menu Sheet/Command List p.56

4. To finish, read the menu sheet "ZZ" that starts/ends the setting procedure.

The buzzer stops and the reader returns to the normal mode.

_ ZZ _

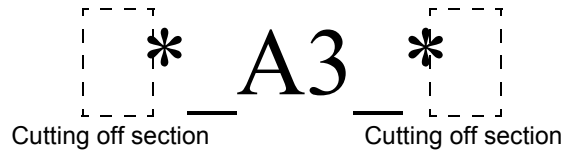
■ How to create a menu sheet

Menu sheets use the CODE39 code system. However, the code used for this reader is special as a space mark is used as the start and stop codes. (Normally “*”)

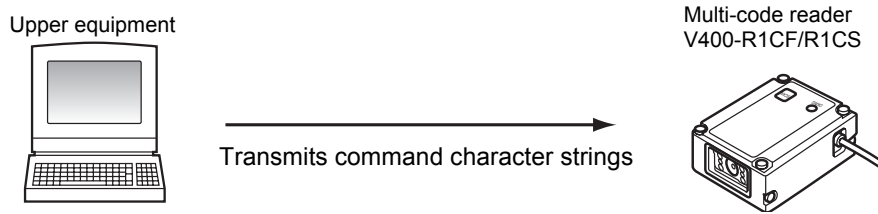
You can create a menu sheet using readily available code creation software, as shown below.

E.g.: When creating a menu sheet “A3”

Create “* A3 *” and cut the parts of “*” with scissors to create the menu sheet “A3”.



■ Inputting a command from the upper equipment



1. Transmit the command character strings of the function you want to set.

ESC (1BH)	Command	CR (0DH)
--------------	---------	-------------

Menu Sheet/Command List p.56

2. Transmit the command “Z2” to write the setting data in the nonvolatile memory of the reader.



Be sure to write the setting data in the nonvolatile memory whenever a condition is set by inputting a command from the upper equipment. When you turn the power OFF without writing the setting in the memory, the settings will be lost.

Transmission method of the command by designating values and characters is explained as follows.

E.g.: Setting “AB” on header (Designating codes directly)

ESC (1BH)	R (52H)	Y (59H)	0 (30H)	A (41H)	0 (30H)	B (42H)	CR (0DH)
Header setting command			Character “A”	Character “B”			

Installation and Reading


This section explains how to install the reader and conduct a final check to confirm that the reader works successfully in the actual environment.

Installation

■ Installing the reader

Install the reader at a distance where it captures the code correctly.

■ Field of view and distance in relation to the code

 For information about the installation distance and code resolution, refer to “Reading range performance” on p.26.

■ Installing the mounting bracket

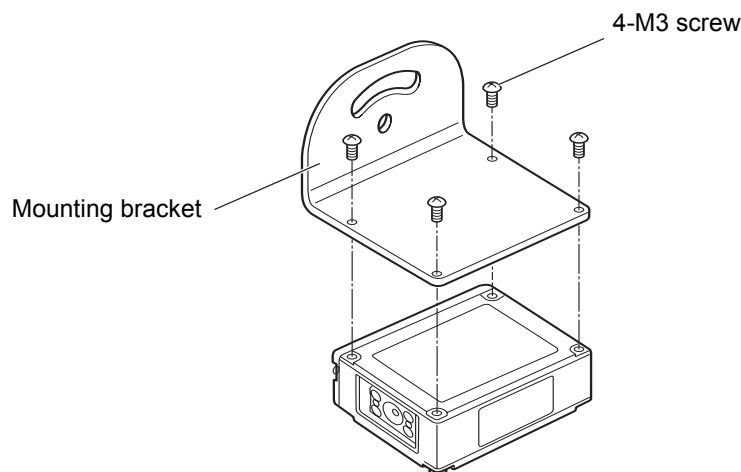
To avoid regular reflection of illumination light, install the bracket at an angle of about 15 to 30 against the bar code.

The mounting bracket supplied with the reader can be tilted between -30° and $+30^{\circ}$.

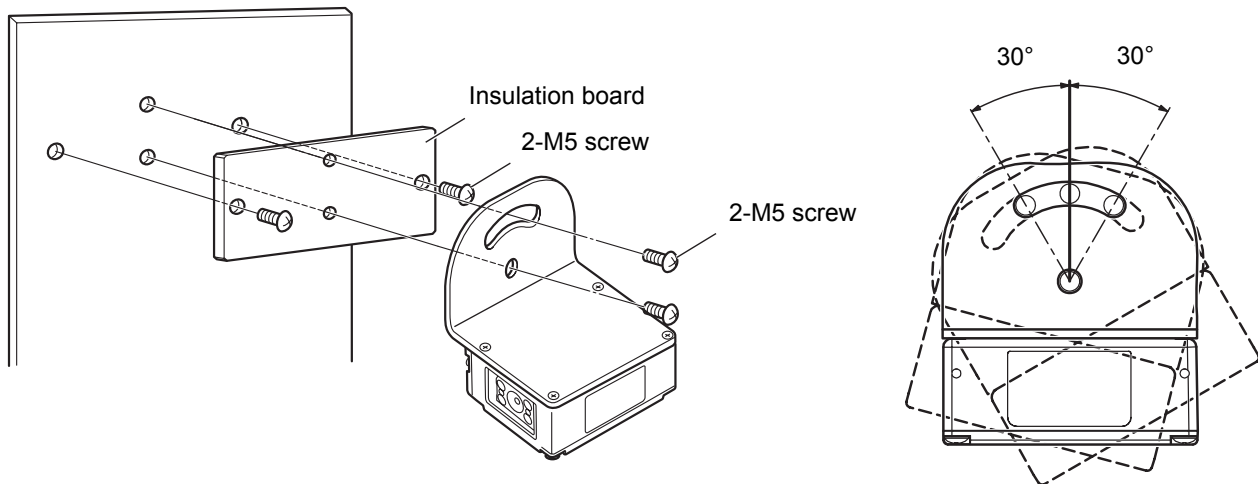
Use this mounting bracket.

(Tightening torque: 0.54 N·m)

1. Attach the mounting bracket to the reader (4-M3 screws × 4).



2. Install the mounting bracket to the installation location (2-M5 screw × 4)



- Do not apply stress to the cable when installing or using.
- The reading distance and angle ranges may differ depending on labels. Before installing the reader, check that the label is read successfully.
- Be sure to install the supplied insulation board to reduce the influence of inductive noise on the reader.
Use the attached screws to install the insulation board.

MEMO

Section 3

Basic Knowledge of Operation

This section explains main functions of the reader.

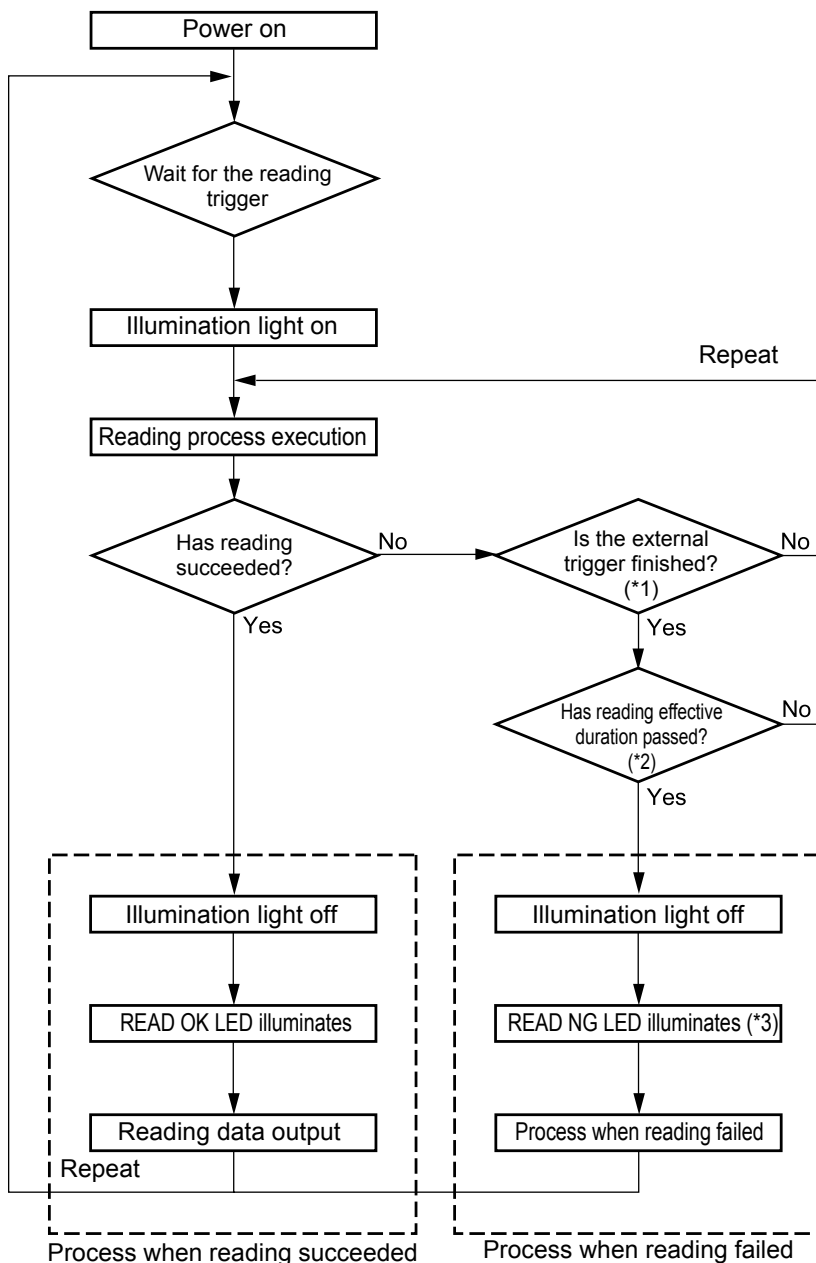
☒ Operation Flow Chart	44
☒ Communication Data Format	50

Operation Flow Chart

Basic operation flow charts by reading operation, data transmission charts by communication protocol, and timing charts of buzzer and LED indication are shown below.

Basic operation flow chart

■ In case of single reading

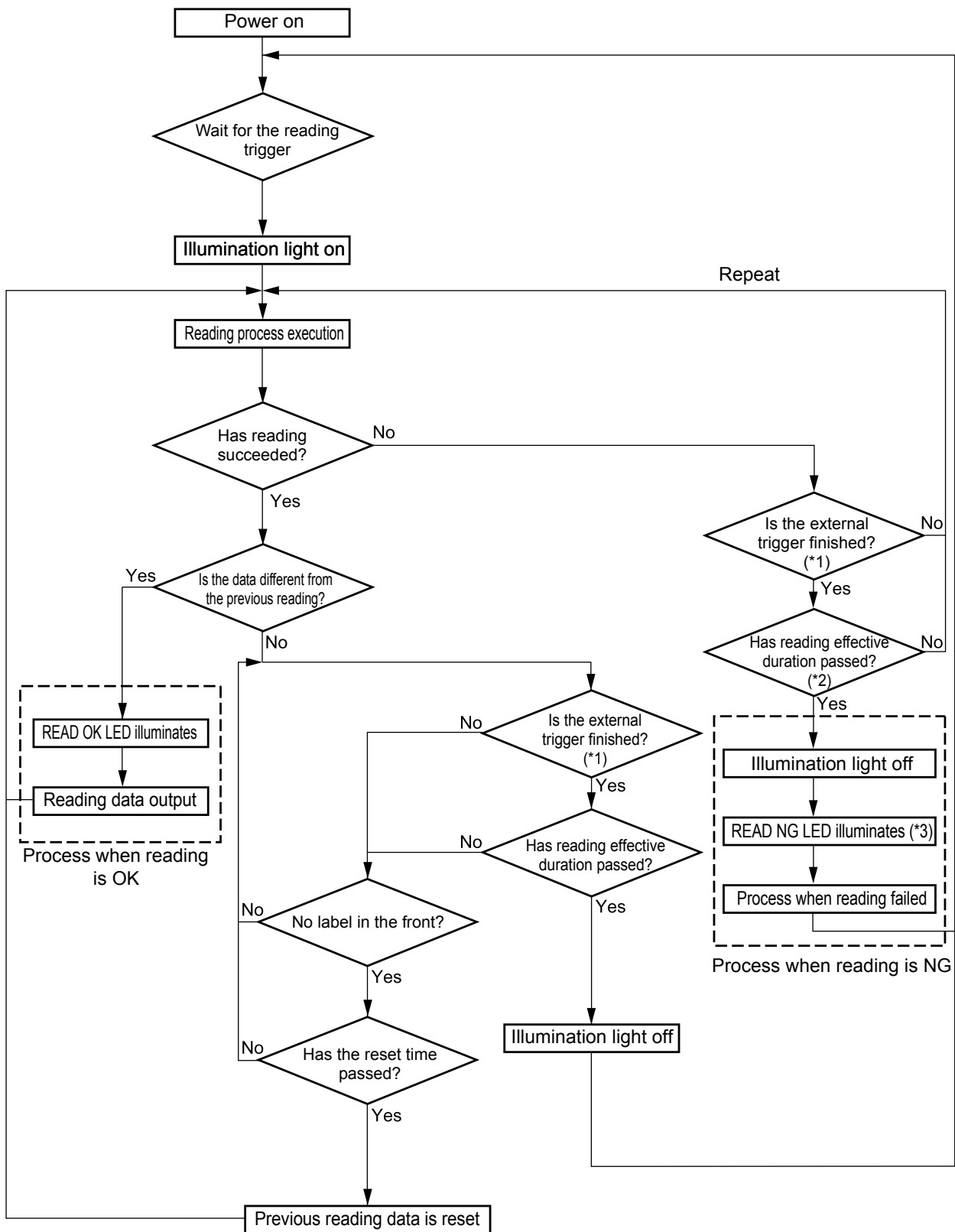


*1: When the trigger by a command is used, ignore this clause.

*2: When the trigger controlled system is used (codes are read while the trigger is ON), the reading effective duration is set to 0.

*3: This LED illuminates when the error message output is set to ON. It does not illuminate with the factory default setting.

■ In case of plural reading

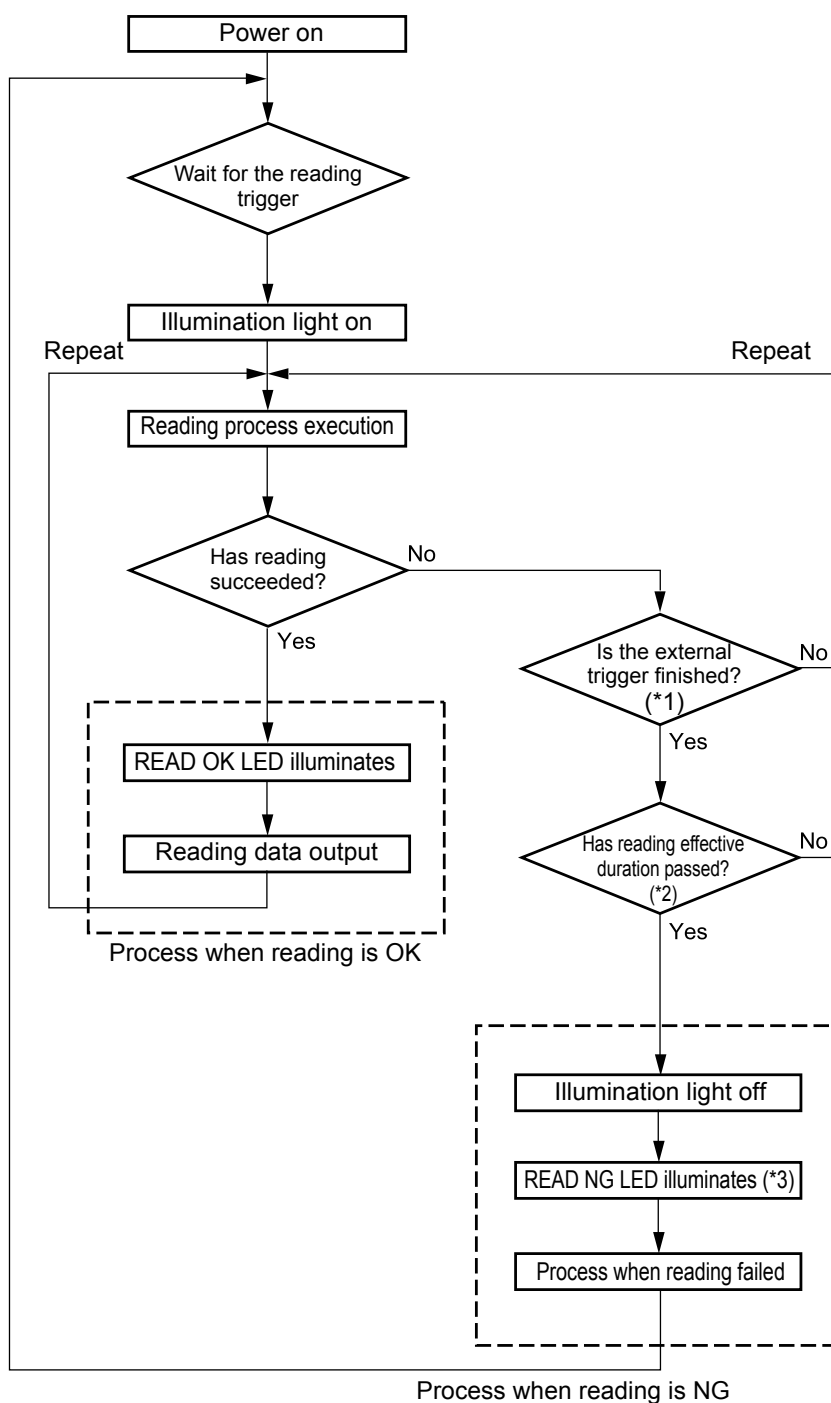


*1: When the trigger by a command is used, ignore this clause.

*2: When the trigger controlled system is used (codes are read while the trigger is ON), the reading effective duration is set to 0.

*3: This LED illuminates when the error message output is set to ON. It does not illuminate with the factory default setting.

■ In case of continuous reading



*1: When the trigger by a command is used, ignore this clause.

*2: When the trigger controlled system is used (codes are read while the trigger is ON), the reading effective duration is set to 0.

*3: This LED illuminates when the error message output is set to ON. It does not illuminate with the factory default setting.

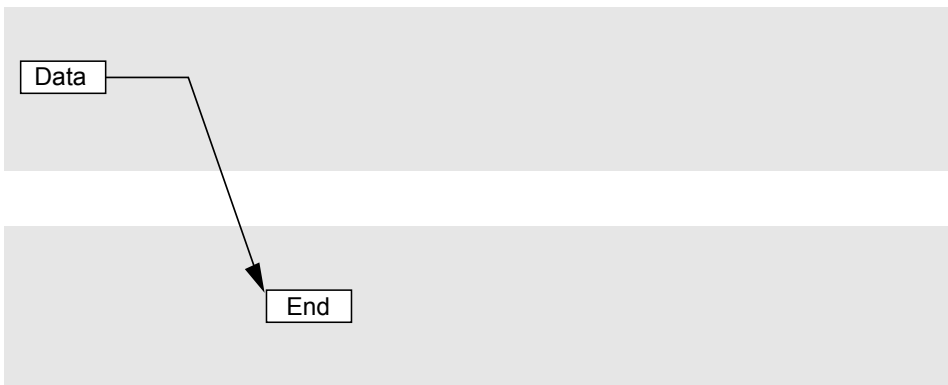
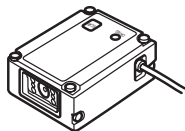
Communication protocol

The following two systems exist for transmitting the data read by the reader to the equipment.

■ Nonprocedural system (no protocol system)

The reader transmits the data to the upper equipment and ends the communication.

Multi-code reader
V400-R1CF/R1CS



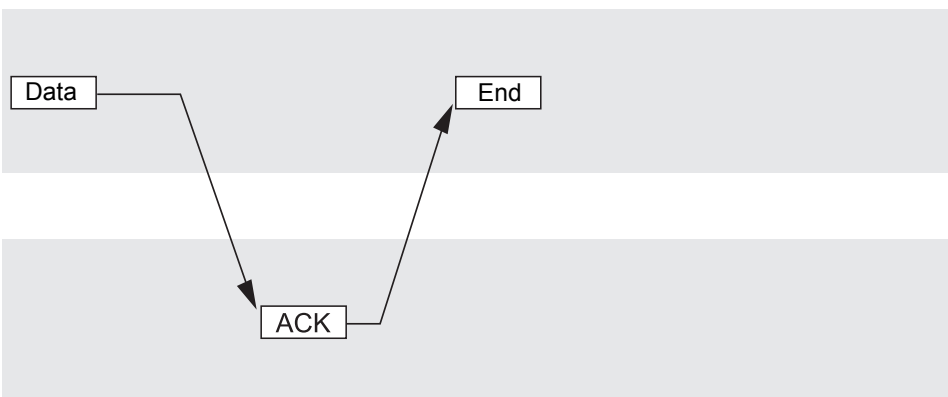
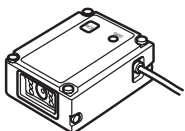
Upper equipment



■ ACK/NAK system

The reader waits for a response from the upper equipment after transmitting the data. When ACK (06H) 1 byte is received from the upper equipment, a buzzer sounds indicating normal finishing and ends data transmission.

Multi-code reader
V400-R1CF/R1CS

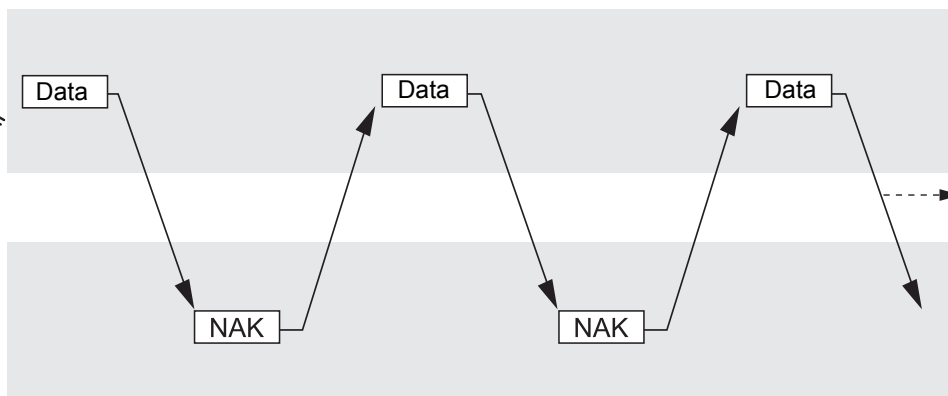
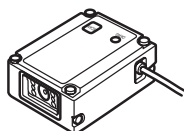


Upper equipment



When NAK (15H) 1 byte is received from the upper equipment, the data is transmitted again. When the time-up time set beforehand comes, the time-up buzzer sounds and the data transmission ends.

Multi-code reader
V400-R1CF/R1CS



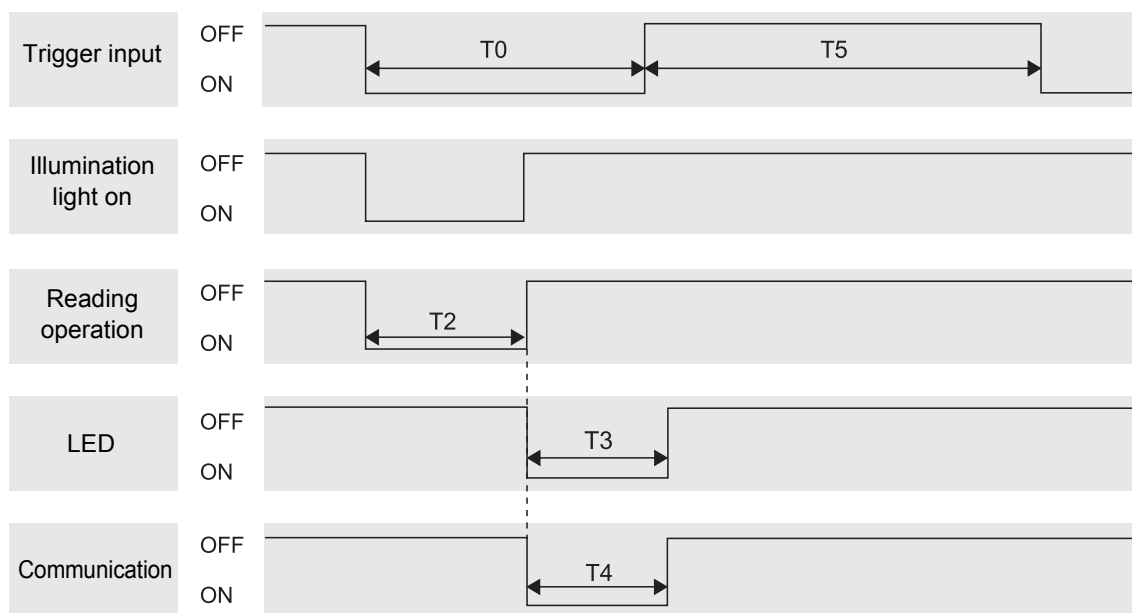
Upper equipment



Communication timing chart

This section explains the timing of the buzzer and LED indication.

■ In case of reading OK (single reading)



Time	Description
T0	Trigger ON time. Keep the external trigger ON for at least 50 ms. The reading time depends on the "trigger effective duration" setting.
T2	Reading valid time. (The factory default setting is 2 sec. It can be changed.) In case of reading OK, the illumination LED turns off and the reading operation finishes as soon as the operation succeeds.
T3	Buzzer and indication LED illumination time. (The factory default settings are 50 ms for the buzzer and 200 ms for the indication LED. They can be changed.)
T4	Communication time. This differs depending on communication conditions.
T5	Trigger signal minimum OFF time. Be sure to set 1 s or more.

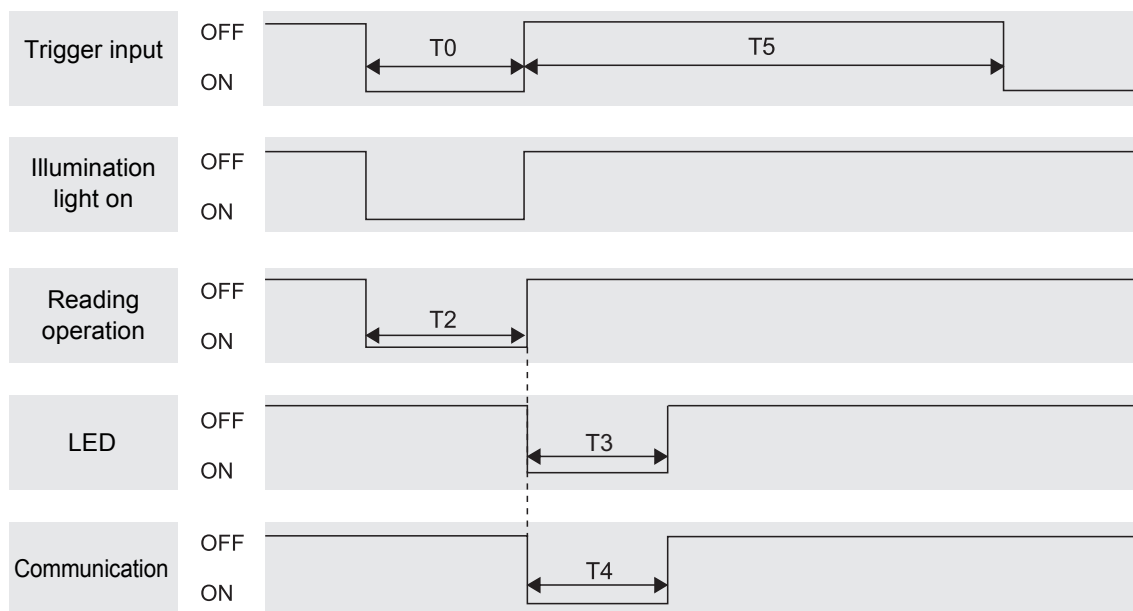


CHECK!

- In case of continuous reading and plural reading, illumination light is emitted throughout the reading effective duration that starts when a trigger is input. The concept of T0 to T4 is the same as that in the case of single reading.
- Concept of communication time

$$\text{Communication time (ms)} = \frac{(\text{Data length}) + (\text{In case when parity exists}) + (\text{Number of stop bits})}{(\text{Communication speed})} \times (\text{Number of digits of communication data} + \text{Number of header characters} + \text{Number of footer characters}) \times 10^3$$

■ In case of reading NG (single reading)



Time	Description
T0	Trigger ON time. Keep the external trigger ON for at least 50 ms. Here, it is assumed that the reading time is “trigger controlled”.
T2	Reading valid time. (The factory default setting is 2 sec. It can be changed.) In case of “trigger controlled” and reading NG, the illumination LED turns off and the reading operation finishes as soon as the external trigger turns off.
T3	When the error message output is set to ON, this is the indication LED illumination time.
T4	This is the error message transmission time when the error message output is set to ON. This differs depending on communication conditions.
T5	Trigger signal minimum OFF time. Be sure to set 1 s or more.



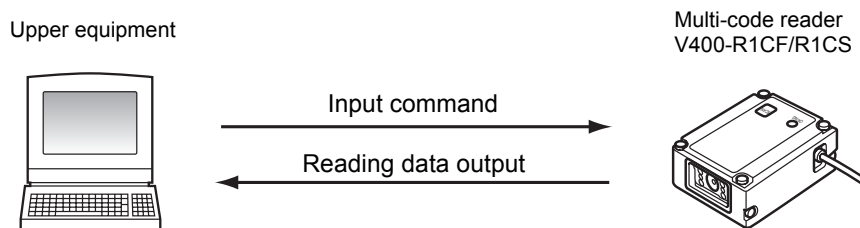
CHECK!

- In case of continuous reading and plural reading, illumination light is emitted throughout the reading effective duration that starts when a trigger is input. The concept of T0 to T4 is the same as that in the case of single reading.
- Concept of communication time

$$\text{Communication time (ms)} = \frac{(\text{Data length}) + (\text{In case when parity exists}) + (\text{Number of stop bits})}{(\text{Communication speed})} \times (\text{Number of digits of communication data} + \text{Number of header characters} + \text{Number of footer characters}) \times 10^3$$

Communication Data Format

This section explains the format of communication between the reader and upper equipment.



Inputting a reading trigger using an RS-232C command

The reading trigger command format is as shown below.

ESC (1BH)	GL	CR (0DH)	or	ESC (1BH)	Z	CR (0DH)
--------------	----	-------------	----	--------------	---	-------------

Inputting a setting command

The reading condition setting command can be transmitted from the upper equipment. The format is as follows.

ESC (1BH)	Command	CR (0DH)
--------------	---------	-------------

For details about the commands, refer to Section 4.

p.56

Data output format to indicate a successful read

When code reading succeeds, the following data is transmitted to the upper equipment.

Header	Number of digits	Data of the read code	Footer
--------	------------------	-----------------------	--------


Output item	Description	Factory default setting
Header	A character string to be added to the head of transmission characters. Up to four characters can be set.	None
Number of digits	The number of digits of the read data is output in ASCII code. Whether or not to output the number of digits can be selected from the following choices. <ul style="list-style-type: none"> • "Bar code: 2 digits, 2D code: 6 digits" • "Bar code and 2D code: 6 digits" • None 	None
Footer	A character string to be added to the end of the transmission data. Up to four characters can be set.	CR (0DH)

Setting method p.82, p.83

Process for failed reading


The error message transmitted when reading fails depends on the setting.

Output item	Description	Factory default setting
Error message - No label	This message is returned when no code exists in the field of view.	Not transmitted
Error message - Decoding failure	This message is returned when the code cannot be read.	Not transmitted

 Setting method p.72

Data transfer contents of each reading code type

Reading code	Description
UPC-A	You can select whether or not to transfer the head character "0" for transfer digit number adjustment and check digit C/D. ("0" is an additional character to be combined with C/D to adjust the number of digits to be identical to JAN/EAN-13.) 0 S X1 X2 X3 X4 X5 X6 X7 X8 X9 X10 C/D S: Number system character (Automatically decided according to the combination of each character of X1 to X10.)
UPC-E	You can select whether or not to transfer the head character "0" for transfer digit number adjustment and check digit C/D. ("0" is an additional character to be combined with C/D to adjust the number of digits to be identical to JAN/EAN-13.) 0 S X1 X2 X3 X4 X5 X6 C/D S: Number system character (Automatically decided according to the combination of each character of X1 to X10.)
JAN/EAN	Reading data (8-digit or 13-digit) is transferred as it is.
ITF, STF (2 of 5 bars)	Transfers in the order from the next character of the start code to the character before the stop code. (The start code and stop code are not transferred.)
NW-7, CODE39	You can select whether or not to transfer the start code and stop code. When the transfer of the start code and stop code is permitted, you can select whether the transferred start/stop code of NW-7 is in lower-case "a/b/c/d" or in upper-case "A/B/C/D". The transfer start/stop code of CODE39 is "*".
EAN128	When the EAN128 conversion is enabled, the control character "[C1" (ASCII code: 5D, 43, 31) which indicates EAN128 is added to the head of the transfer data. Also, the FNC1 character, which is used as a separating character, is replaced with the GS (ASCII code: 1DH) character before it is transferred.
2D code	Only the reading data is transferred.

 Setting method p.63



CHECK!

Communication with upper equipment

Check that the product has started up, and then start communication with upper equipment.

Indefinite signals may be generated from the upper interface while the product starts up. Clear the receive buffer of the devices before starting initial operation.

MEMO

Section 4

Setting Method

This section explains setting methods using a menu sheet and by entering a command from the upper equipment.

☒	How to Use a Menu Sheet/Command	54
☒	Menu Sheet/Command List	56

How to Use a Menu Sheet/Command

The following two setting methods are available for the reader. Select either method depending on the condition.

Setting method	Description
Reading a menu sheet	This method reads the menu sheet of the function you want to set. This is convenient for the initial setting and when testing.
Inputting a command from the upper equipment	This method inputs a command from the upper equipment. This is convenient when changing setup according to the type of code.

Reading a menu sheet


The menu sheet is a special code used to set the reader function. Setting can be changed by reading this menu sheet.

1. Read the menu sheet "ZZ" that starts/ends the setting procedure.
The buzzer sounds continuously, indicating that the reader has entered the setting mode.

ZZ
_ _

2. Read the menu sheet "U2" that restores the factory default settings.

U2
_ _

3. Read the menu sheet for the setting item you want to change.
 Menu Sheet/Command List p.56

4. To finish, read the menu sheet "ZZ" that starts/ends the setting procedure.
The buzzer stops and the reader returns to the normal mode.

ZZ
_ _

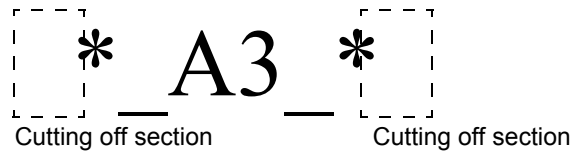
■ How to create a menu sheet

Menu sheets use the CODE39 code system. However, the code used for this reader is special as a space mark is used as the start and stop codes. (Normally “*”)


You can create a menu sheet using readily available code creation software, as shown below.

E.g.: When creating a menu sheet “A3”

Create “* A3 *” and cut the parts of “*” with scissors to create the menu sheet “A3”.



■ Inputting a command from the upper equipment

 Refer to “Inputting a command from the upper equipment” (p.39).

Menu Sheet/Command List

Groups are classified as follows. Please refer to the corresponding pages.

Setting item	Reference
Start/end setting using menu sheets	p.57
Write setting contents on the nonvolatile memory	p.57
Setting for external trigger signal	p.57
Return to the factory default setting	p.58
Setting of reading permission and prohibition	p.60
Detail setting for reading code	p.63
Setting of inverted code	p.67
Setting for the number of times of reading coincidence	p.68
Setting for reading operation	p.68
Setting for reading effective duration	p.69
Setting for plural reading reset time	p.71
Setting for failed reading	p.72
Setting for the number of reading digits	p.73
Setting for the READ OK LED	p.74
Setting for the buzzer	p.74
Setting for READ OK signal output	p.76
Setting for label registration	p.78
Setting for communication conditions	p.79
Setting for the communication protocol	p.81
Setting for the header and footer	p.82
Number of digit output	p.83
Direct code designation	p.84

Start/end setting using menu sheets

When setting the reader using menu sheets, read this menu sheet at the start and end of the procedure.

Menu sheet	Command
Start/end setting using menu sheets __ZZ__	None

Write setting contents on the nonvolatile memory

Be sure to write the settings in the nonvolatile memory whenever a condition is set by inputting a command from the upper equipment. When you turn the power OFF without writing the setting in the memory, the settings will be lost.

Menu sheet	Command
Write the contents set with a command in the nonvolatile memory. (No menu sheet)	Z2

Setting for external trigger signal

Select positive logic or negative logic of the external trigger signal.

Menu sheet	Command
External trigger signal, positive logic (H active) __YA__	YA
External trigger signal, negative logic (L active) (factory default setting) __YB__	YB

Return to the factory default setting

Menu sheet	Command
Return to the factory default setting U2	U2

Factory default setting

Item		Setting content
Readable code types		JAN/UPC (A and E)/EAN(13 and 8), CODE39, NW-7, Industrial2of5, ITF, CODE128/EAN128, CODE93, DataMatrix (ECC200), QR code, Micro QR code, PDF417, and RSS
Detail conditions	UPC/EAN detail settings	UPC-A: Transfer C/D without an 0 in the beginning
		UPC-E: Transfer C/D without an 0 in the beginning
		EAN-13: Transfer C/D
		EAN-8: Transfer C/D
	CODE39 detail settings	Not calculate C/D
		Transfer C/D
		Not transfer ST/SP
	NW-7 detail settings	Not calculate C/D
		Transfer C/D
		Not transfer ST/SP
		Data character of at least 5 digits
	Industrial2of5 detail settings	Not calculate C/D
		Transfer C/D
		Data character of at least 5 digits
CODE128/EAN128 detail settings	Disable EAN128 conversion	
Reading conditions	Inverted code	Normal (regular) code
	Number of times of reading coincidence	Reading twice and verification once
	Reading operation	Single reading
	Failed reading	Transmit nothing
	Number of reading digits	Unlock number of digits for all codes (For 2of5 and NW-7, a minimum of 5 digits)
	Reading valid time	2 seconds
	Plural reading reset time	6 frames
LED	READ OK LED illumination time: 200 ms	
Buzzer	Enable the buzzer	
	Single-tone buzzer	
	Buzzer sound duration: 50 ms	
	Buzzer sound volume: Max	
External trigger signal	Negative logic (L active)	
READ OK/NG signal output	Signal output	Output signals
	Signal output system	External trigger synchronous system (positive logic, H active)
Label registration	None	

	Item	Setting content
Communication conditions	Communication speed	9600 bps
	Data length	8 bits
	Parity	None
	Stop bit	1 bit
	Header	None
	Footer	CR
	Number of digit output	None
	RS/CS control	None (no protocol system)
	CS waiting time	Not limited

Setting of reading permission and prohibition

Select the types of code to be read.

For higher reading reliability, prohibit reading of codes that will not be read.

Menu sheet	Command
All codes except add-ons (Factory default setting) _ A0 _	A0
Reading permission for all bar codes _ BCM _	[BCM
Reading permission for all 2D codes _ BCN _	[BCN
Reading prohibition for all codes _ B0 _	B0
Reading permission for UPC codes _ R1 _	R1
Permission for UPC add-on 2-digit codes _ R2 _	R2
Permission for UPC add-on 5-digit codes _ R3 _	R3
Reading permission for EAN codes _ R4 _	R4
Permission for EAN add-on 2-digit codes _ R5 _	R5

Menu sheet	Command
Permission for EAN add-on 5-digit codes _ R6 _	R6
Reading permission for CODE39 codes _ B2 _	B2
Reading permission for NW-7 codes _ B3 _	B3
Reading permission for Industrial2of5 codes _ R7 _	R7
Reading permission for ITF codes _ R8 _	R8
Reading permission for CODE128 codes _ B6 _	B6
Reading permission for CODE93 codes _ B5 _	B5
Reading permission for RSS-14 codes _ JX _	JX
Reading permission for RSS-limited codes _ JY _	JY
Reading permission for RSS-expanded codes _ DR _	DR

Menu sheet	Command
Reading permission only for DataMatrix (ECC200) codes _ BCC _	[BCC]
Reading permission for QR codes _ BCD _	[BCD]
Reading permission for Micro QR codes _ D2U _	[D2U]
Reading permission for PDF417 codes _ BCF _	[BCF]

Detail setting for reading code

Conditions for details about reading codes, such as whether to use the check digit (C/D) or to transmit the start code/stop code (ST/SP), are set.

UPC-A

Menu sheet	Command
Transfer C/D without an 0 in the beginning (Factory default setting) E3	E3
Not transfer C/D without an 0 in the beginning E5	E5
Transfer C/D with 0 in the beginning E2	E2
Not transfer C/D with 0 in the beginning E4	E4

UPC-E

Menu sheet	Command
Transfer C/D without an 0 in the beginning (Factory default setting) E7	E7
Not transfer C/D without an 0 in the beginning E9	E9
Transfer C/D with 0 in the beginning E6	E6
Not transfer C/D with 0 in the beginning E8	E8

EAN-13

Menu sheet	Command
Transfer C/D (Factory default setting) 6K __6K__	6K
Not transfer C/D 6J __6J__	6J

EAN-8

Menu sheet	Command
Transfer C/D (Factory default setting) 6I __6I__	6I
Not transfer C/D 6H __6H__	6H

CODE39

Menu sheet	Command
Not calculate C/D (Factory default setting) C1 __C1__	C1
Calculate C/D C0 __C0__	C0
Transfer C/D (Factory default setting) D9 __D9__	D9
Not transfer C/D D8 __D8__	D8
Transfer ST/SP D0 __D0__	D0

Menu sheet	Command
Not transfer ST/SP (Factory default setting) D1 — D1 —	D1


NW-7

Menu sheet	Command
Not calculate C/D (Factory default setting) H7 — H7 —	H7
Calculate C/D H6 — H6 —	H6
Transfer C/D (Factory default setting) H8 — H8 —	H8
Not transfer C/D H9 — H9 —	H9
Not transfer ST/SP (Factory default setting) F0 — F0 —	F0
ST/SP: ABCD/ABCD F3 — F3 —	F3
ST/SP: abcd/abcd F4 — F4 —	F4
ST/SP: ABCD/TN*E F1 — F1 —	F1
ST/SP: abcd/tn*e F2 — F2 —	F2



Menu sheet	Command
ST/SP: <DC1><DC2><DC3><DC4>/<DC1><DC2><DC3><DC4> HJ __	HJ
Data character of at least 1 digit HC __	HC
Data character of at least 3 digits HB __	HB
Data character of at least 5 digits (Factory default setting) HF __	HF

Industrial2of5

Menu sheet	Command
Not calculate C/D (Factory default setting) G0 __	G0
Calculate C/D G1 __	G1
Transfer C/D (Factory default setting) E0 __	E0
Not transfer C/D E1 __	E1
Data character of at least 1 digit GE __	GE
Data character of at least 3 digits GF __	GF

Menu sheet	Command
Data character of at least 5 digits (Factory default setting) <div style="text-align: center;">  </div>	GI

CODE128/EAN128





Menu sheet	Command
Disable EAN128 conversion (Factory default setting) <div style="text-align: center;">  </div>	[X/0
Enable EAN128 conversion <div style="text-align: center;">  </div>	[X/4

Setting of inverted code

Normally, codes are printed in black on a white background. However, some codes are white on a black background.

Black codes on a white background are called normal (regular) codes, and white codes in a black background are inverted codes.

Inverted codes can be read when the “Inverted code” option is selected.

Menu sheet	Command
Normal (regular) code (Factory default setting) <div style="text-align: center;">  </div> <div style="text-align: center;">  </div>	V2
Normal (regular) and inverted codes <div style="text-align: center;">  </div> <div style="text-align: center;">  </div>	V4

Setting for the number of times of reading coincidence

When reading result coincides the number of times you have set, the reading result is output to the RS-232C interface.

The verification system is AND verification (Continuous coincidence system). (This cannot be changed.)

Menu sheet	Command
Reading once and verification zero times _ X0 _	X0
Reading twice and verification once (Factory default setting) _ X1 _	X1
Reading three times and verification twice _ X2 _	X2
Reading four times and verification three times _ X3 _	X3

Setting for reading operation

The reading operation is set.

Menu sheet	Command
Single reading (Factory default setting) _ S0 _	S0
Plural reading _ S1 _	S1
Continuous reading _ S2 _	S2

Setting for reading effective duration

The time during which the reading continues after a trigger is input is set. When it is set to 0 sec., reading is controlled by the external trigger and the trigger is effective while the external trigger is ON.

Menu sheet	Command
0 seconds (controlled by the external trigger) _ Y0 _	Y0
1 second _ Y1 _	Y1
2 seconds (Factory default setting) _ Y2 _	Y2
3 seconds _ Y3 _	Y3
4 seconds _ Y4 _	Y4
5 seconds _ Y5 _	Y5
6 seconds _ Y6 _	Y6
7 seconds _ Y7 _	Y7
8 seconds _ Y8 _	Y8

Menu sheet	Command
9 seconds _ Y9 _	Y9
Infinity _ YM _	YM

Setting for plural reading reset time

This setting has effect when plural reading is enabled.

This setting specifies the number of frames (length of time) during which the reader should be kept away from the code before reading the same code again.



Frames

A frame is another representation of time (ms). Intervals between frames are not constant and they differ depending on codes. When the frame is set to infinity, the next code must differ from the previous one as long as a trigger is input.

(Example)

Frame	1	2	3	4	5	6
Time (ms)	50	100	200	300	400	500

Menu sheet	Command
1 frame AH _ _	AH
2 frames AI _ _	AI
3 frames AJ _ _	AJ
4 frames AK _ _	AK
5 frames AL _ _	AL
6 frames (Factory default setting) AM _ _	AM
Infinity AG _ _	AG

Setting for failed reading

Process for failed reading is set.

With the factory default setting, nothing is transmitted in the event of failed reading.

■ Error message - No label

Direct input characters of up to 4 digits can be set. These characters are transmitted when no code (label) is detected during the reading time.



CHECK!

- The error message is disabled when no direct input characters are read after the command.
- This may be output simultaneously with “Error message - Decoding failure”.

■ Error message - Decoding failure

Direct input characters of up to 4 digits can be read. These characters are transmitted when a code (label) is detected during the reading time but nothing is read.

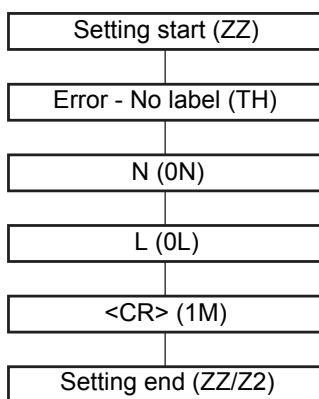


CHECK!

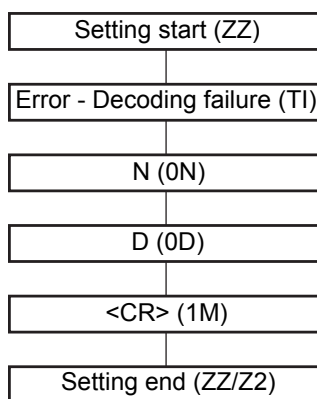
- The error message is disabled when no direct input characters are read after the command.
- This may be output simultaneously with “Error message - No label”.

E.g.: In the following two examples, the “NL<CR>” message is set for “No label” and the “ND<CR>” message for “Decoding failure”. Those two examples may occur at the same time.

When no code is detected during the reading time



When a code is detected during the reading time but nothing is read



Menu sheet	Command
Error message - No label <div style="text-align: center; font-size: 2em; font-weight: bold;">_ TH _</div>	TH

Menu sheet	Command
Error message - Decoding failure TI _ _	TI
Not transmit an error message (Factory default setting) TG _ _	TG

Setting for the number of reading digits

When the number of reading digits is fixed, all codes having other lengths than that specified can be rejected. Up to two reading digits can be set.

This setting is effective for codes such as Interleaved 2 of 5 for which security against partial reading is insufficient.

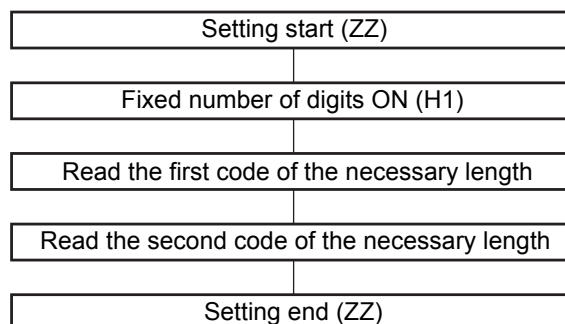
While the number of reading digits to be fixed can be set by reading the code, the number of reading digits cannot be set with a command since a code of the necessary length must be read.



CHECK!

- To read codes of a known length, it is recommended that the number of digits be fixed.
- While the number of reading digits to be fixed can be set by reading the code, it is not affected by a detail setting (p.63) for reading codes, including “Transfer ST/SP”, “Not transfer ST/SP”, “Transfer C/D” and “Not transfer C/D”.
- Fixing the number of reading digits does not affect WPC (JAN/EAN/UPC) or other fixed-length codes and DataMatrix or other 2D codes.

E.g.: The following describes the steps for fixing the number of reading digits.



Menu sheet	Command
Fixed number of digits OFF for all codes (Factory default setting) H0 _ _	H0
Fixed number of digits ON for all codes H1 _ _	None

Setting for the READ OK LED

The READ OK LED is disabled or its illumination time is set. The READ OK LED illuminates when reading succeeds.

Menu sheet	Command
Disable the READ OK LED _ T4 _	T4
READ OK LED illumination time: 200 ms (Factory default setting) _ T5 _	T5
READ OK LED illumination time: 400 ms _ T6 _	T6
READ OK LED illumination time: 800 ms _ T7 _	T7

Setting for the buzzer

The buzzer is enabled or disabled or its type and sound duration and volume are set. The buzzer sounds when reading succeeds.

Menu sheet	Command
Disable the buzzer _ W0 _	W0
Enable the buzzer (Factory default setting) _ W8 _	W8
Single-tone buzzer (Factory default setting) _ W1 _	W1

Menu sheet	Command
High-low buzzer _ W2 _	W2
High-high buzzer _ W3 _	W3
Buzzer sound duration: 50 ms (Factory default setting) _ W7 _	W7
Buzzer sound duration: 100 ms _ W4 _	W4
Buzzer sound duration: 200 ms _ W5 _	W5
Buzzer sound duration: 400 ms _ W6 _	W6
Buzzer sound volume: Max (Factory default setting) _ T0 _	T0
Buzzer sound volume: High _ T1 _	T1
Buzzer sound volume: Medium _ T2 _	T2
Buzzer sound volume: Low _ T3 _	T3

Setting for READ OK signal output

When you want to output reading succeeded to the READ OK signal, set the conditions of output system and duration, then set them for “signal output (X*Q)”.

The READ NG signal is output when any code other than the labels registered in “Setting for label registration” (p.78) is read.

Menu sheet	Command
Output the signal (Factory default setting) X*Q	[X*Q]
Not output the signal X*R	[X*R]
External trigger signal synchronous system (positive logic, H active) (Factory default setting) X*C	[X*C]
External trigger signal synchronous system (negative logic, L active) X*D	[X*D]
One-shot system (positive logic, H active) X*E	[X*E]
One-shot system (negative logic, L active) X*F	[X*F]
One-shot duration: 10 ms X*G	[X*G]
One-shot duration: 20 ms X*H	[X*H]
One-shot duration: 30 ms X*I	[X*I]

Menu sheet	Command
One-shot duration: 40 ms _ X*J _	[X*J
One-shot duration: 50 ms _ X*K _	[X*K
One-shot duration: 60 ms _ X*L _	[X*L
One-shot duration: 70 ms _ X*M _	[X*M
One-shot duration: 80 ms _ X*N _	[X*N
One-shot duration: 90 ms _ X*O _	[X*O
One-shot duration: 100 ms _ X*P _	[X*P

Setting for label registration

You should first register codes in the reader so that they are recognized as OK. This function outputs the OK signal when the reader reads a code that matches one of the registered codes and outputs the NG signal for a code that does not match any of those codes.

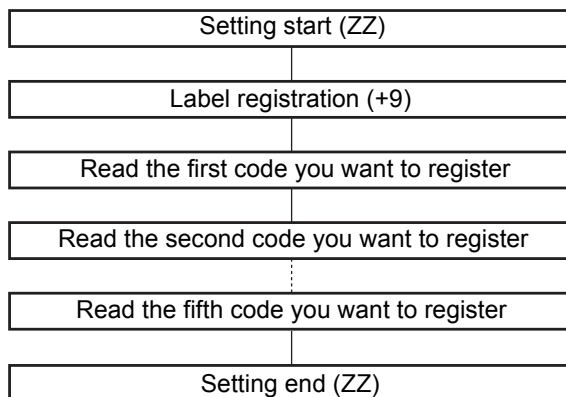
Up to 5 codes can be registered.



Up to 123 bytes of a single set of data, and up to 250 bytes of data in total can be registered.

CHECK!

E.g.: The following describes the steps for registering labels.



Menu sheet	Command
Register labels +9 _ _	None
Not register labels +2 _ _	+2

Setting for communication conditions

The settings made here are not fixed until the menu sheet “ZZ” for ending setting is read or the setting save command “Z2” is transmitted and the reader is restarted.

Menu sheet	Command
Communication speed: 300 bps _ K1 _	K1
Communication speed: 600 bps _ K2 _	K2
Communication speed: 1200 bps _ K3 _	K3
Communication speed: 2400 bps _ K4 _	K4
Communication speed: 4800 bps _ K5 _	K5
Communication speed: 9600 bps (Factory default setting) _ K6 _	K6
Communication speed: 19200 bps _ K7 _	K7
Communication speed: 38400 bps _ K8 _	K8
Communication speed: 57600 bps _ K9 _	K9

Menu sheet	Command
Communication speed: 115200 bps __SZ__	SZ
Data length: 7 bits __L0__	L0
Data length: 8 bits (Factory default setting) __L1__	L1
Parity: None (Factory default setting) __L2__	L2
Parity: Even number __L3__	L3
Parity: Odd number __L4__	L4
Stop bit: 1 bit (Factory default setting) __L5__	L5
Stop bit: 2 bits __L6__	L6

Setting for the communication protocol

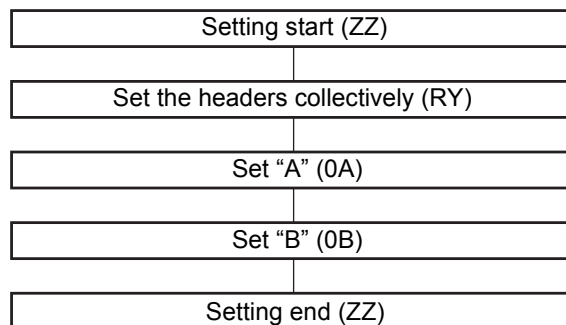
Menu sheet	Command
Communication protocol: No protocol system (Factory default setting) <div style="text-align: center;">_ P0 _</div>	P0
Communication protocol: With RS/CS control (Ready/Busy system) <div style="text-align: center;">_ P1 _</div>	P1
Communication protocol: ACK/NAK system <div style="text-align: center;">_ P3 _</div>	P3
CS waiting time: Not limited (Factory default setting) <div style="text-align: center;">_ I0 _</div>	I0
CS waiting time: 100 ms <div style="text-align: center;">_ I1 _</div>	I1
CS waiting time: 200 ms <div style="text-align: center;">_ I2 _</div>	I2
CS waiting time: 400 ms <div style="text-align: center;">_ I3 _</div>	I3

Setting for the header and footer

Direct input header and footer of up to 4 digits can be set.

The number of digit output setting (p.83) can be included as 1 digit in the header.

E.g.: The following describes the steps for setting the header (AB).



Menu sheet	Command
Set the headers collectively (Applied to all codes) <div style="text-align: center;"> <p>RY</p> <p>__</p> </div>	RY
Clear the header (Applied to all codes) <div style="text-align: center;"> <p>MG</p> <p>__</p> </div>	MG
Set the footers collectively (Applied to all codes) <div style="text-align: center;"> <p>RZ</p> <p>__</p> </div>	RZ
Clear the footer (Applied to all codes) <div style="text-align: center;"> <p>PR</p> <p>__</p> </div>	PR

Number of digit output

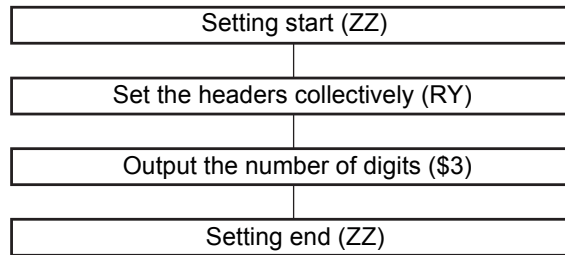
Whether to output the number of digits to the data output format is specified.

This setting item can be registered as 1 digit of the header and is added to a location determined by the order of registration.

Two-byte characters are handled as 2 characters in 2D codes.

Set “Clear the header (PR)” to clear the number of digit output.

E.g.: The following describes the steps for setting the number of digit output.



Menu sheet	Command
Number of digit output (Bar code: 2 digits, 2D code: 6 digits) <div style="text-align: center;"> \$3 _ _ </div>	\$3
Number of digit output (Bar code and 2D code: 6 digits) <div style="text-align: center;"> \$6 _ _ </div>	\$6

Direct code designation

Used to set character strings and values directly when designating the header or footer.

Menu sheet	Command
<SPACE> _ 5A _	5A
! _ 5B _	5B
" _ 5C _	5C
# _ 5D _	5D
\$ _ 5E _	5E
% _ 5F _	5F
& _ 5G _	5G
' _ 5H _	5H
(_ 5I _	5I
) _ 5J _	5J

Menu sheet	Command
* _ 5K _	5K
+ _ 5L _	5L
' _ 5M _	5M
- _ 5N _	5N
. _ 5O _	5O
/ _ 5P _	5P
: _ 6A _	6A
; _ 6B _	6B
< _ 6C _	6C
= _ 6D _	6D

Menu sheet	Command
> _6E_	6E
? _6F_	6F
@ _6G_	6G
[_7A_	7A
\ _7B_	7B
] _7C_	7C
^ _7D_	7D
- _7E_	7E
` _7F_	7F
{ _9T_	9T

Menu sheet	Command
 _ 9U _	9U
} _ 9V _	9V
~ _ 9W _	9W
0 _ Q0 _	Q0
1 _ Q1 _	Q1
2 _ Q2 _	Q2
3 _ Q3 _	Q3
4 _ Q4 _	Q4
5 _ Q5 _	Q5
6 _ Q6 _	Q6

Menu sheet	Command
7 _ Q7 _	Q7
8 _ Q8 _	Q8
9 _ Q9 _	Q9
A _ 0A _	0A
B _ 0B _	0B
C _ 0C _	0C
D _ 0D _	0D
E _ 0E _	0E
F _ 0F _	0F
G _ 0G _	0G

	Menu sheet	Command
H	_0H_	0H
I	_0I_	0I
J	_0J_	0J
K	_0K_	0K
L	_0L_	0L
M	_0M_	0M
N	_0N_	0N
O	_0O_	0O
P	_0P_	0P
Q	_0Q_	0Q

	Menu sheet	Command
R	_ 0R _	0R
S	_ 0S _	0S
T	_ 0T _	0T
U	_ 0U _	0U
V	_ 0V _	0V
W	_ 0W _	0W
X	_ 0X _	0X
Y	_ 0Y _	0Y
Z	_ 0Z _	0Z
a	_ \$A _	\$A

	Menu sheet	Command
b	<p>_\$B_</p>	\$B
c	<p>_\$C_</p>	\$C
d	<p>_\$D_</p>	\$D
e	<p>_\$E_</p>	\$E
f	<p>_\$F_</p>	\$F
g	<p>_\$G_</p>	\$G
h	<p>_\$H_</p>	\$H
i	<p>_\$I_</p>	\$I
j	<p>_\$J_</p>	\$J
k	<p>_\$K_</p>	\$K

Menu sheet	Command
l \$L __	\$L
m \$M __	\$M
n \$N __	\$N
o \$O __	\$O
p \$P __	\$P
q \$Q __	\$Q
r \$R __	\$R
s \$S __	\$S
t \$T __	\$T
u \$U __	\$U

Menu sheet	Command
v _ \$V _	\$V
w _ \$W _	\$W
x _ \$X _	\$X
y _ \$Y _	\$Y
z _ \$Z _	\$Z
(NULL) _ 9G _	9G
(SOH) _ 1A _	1A
(STX) _ 1B _	1B
(ETX) _ 1C _	1C
(EOT) _ 1D _	1D

Menu sheet	Command
(ENQ) _ 1E _	1E
(ACK) _ 1F _	1F
(BEL) _ 1G _	1G
(BS) _ 1H _	1H
(HT) _ 1I _	1I
(LF) _ 1J _	1J
(VT) _ 1K _	1K
(FF) _ 1L _	1L
(CR) _ 1M _	1M
(SO) _ 1N _	1N

Menu sheet	Command
(SI) _ 1O _	1O
(DLE) _ 1P _	1P
(DC1) _ 1Q _	1Q
(DC2) _ 1R _	1R
(DC3) _ 1S _	1S
(DC4) _ 1T _	1T
(NAK) _ 1U _	1U
(SYN) _ 1V _	1V
(ETB) _ 1W _	1W
(CAN) _ 1X _	1X

Menu sheet	Command
(EM) _ 1Y _	1Y
(SUB) _ 1Z _	1Z
(ESC) _ 9A _	9A
(FS) _ 9B _	9B
(GS) _ 9C _	9C
(RS) _ 9D _	9D
(US) _ 9E _	9E
DELL _ 9F _	9F

Section 5

Appendix

☒ Maintenance	98
☒ Troubleshooting	99
☒ Specifications and External Dimension	100
☒ ASCII Code Table	107
☒ Quick-Reference Tables of Data Capacities	108

Maintenance

Directions on the handling of the reader

The reading window contains precision optics. Care should be taken when handling the reader.

Dust, dirt or cracks should degrade image capture conditions, rendering data unreadable.



- Do not touch the lens with hands or any sharp object.
- Use the reader in a dust- and dirt-free environment. If the lens becomes contaminated, clean it with a lens cleaning cloth or an airbrush.

Inspection

To use the reader in a good working condition, do the following:



- If the lens becomes contaminated with dust or dirt, remove it with a lens cleaning cloth or an airbrush.
- For dust or dirt on other surfaces, gently wipe off with a soft cloth.

Item to be inspected	Description	Tool required
Power supply	Should be within the rating voltage (5 V +/-10%) when the voltage is measured on the power supply terminal block.	Voltmeter
Operating temperature limit	Should be within a range of 0 to 45°C when the interior temperature is measured.	Thermometer
Operating humidity limit	Should be within a range of 35 to 85% when the interior temperature is measured.	Hygrometer
Condition of the reader installed	The reader and its mounting bracket must be properly secured.	Torque driver

Troubleshooting

■ Connection

Symptom	Cause	Refer to:
Buzzer does not sound when power is supplied	<ul style="list-style-type: none"> The power supply is not properly connected. Not enough power capacity/current capacity. 	p.31 p.100

■ Reading operation

Symptom	Cause	Refer to:
Unable to read	<ul style="list-style-type: none"> Reading prohibition is set for the relevant code. The minimum resolution, reading distance and contrast are not within the effective range. 	p.60 p.27, p.100

■ External input/output signals (TRIG, OK, NG)

Symptom	Cause	Refer to:
Fails to respond to signal from TRIG	<ul style="list-style-type: none"> The signal line is not properly connected. 	p.29
OK and NG signals are not output	<ul style="list-style-type: none"> The signal line is not properly connected. 	p.29

■ RS-232C

Symptom	Cause	Refer to:
Communication failure	<ul style="list-style-type: none"> The communication cable is not properly connected. Communication specifications do not conform to upper equipment. Correct communication protocol is not selected. 	p.31 p.50 p.47, p.81

Specifications and External Dimension

Specifications

General specification

Applicable codes	Bar code	JAN/EAN/UPC (A, E), CODE39, NW-7, ITF Industrial2of5, CODE93, CODE128 (including EAN128), RSS
	2D code	DataMatrix (ECC200), QR Code, Micro QR Code, PDF417, RSS
	Number of reading digits	No upper limit (depends on bar width and reading distance)
Reading performance (*)	Light source	Four red LEDs (wave length: 630 nm)
	Aiming light	Two green LEDs (wave length: 527 nm)
	Minimum resolution	0.1 mm (bar code), 0.169 mm (2D code)
	Image capture device	CMOS area sensor (1280 (H) x 1024 (V))
	Working distance (WD)	60 mm
	Field of view	52 x 41 mm (for WD = 60 mm)
	Skew angle	-50 to 0°, 0 to +50°
	Pitch angle	-50 to 0°, 0 to +50°
	Tilt angle	360°
	Reading of bar codes on curved surfaces	R > 15 mm (JAN8), R > 20 mm (JAN13)
Interface	Communication specification	RS-232C
	OK/NG outputs	NPN open collector output
Function setting method	Menu sheet reading method or host command method	
Functional specifications	Reading trigger	External trigger (Transistor input) Trigger by command (RS-232C) Trigger a test reading by pressing the SCAN button on the product
	OK/NG signals	OK signal is turned on to indicate a successful read OK signal is turned on to indicate a successful read of registered label NG signal is turned on to indicate a successful read of a non-registered label
	Indication LED	OK LED (green) illuminates to indicate a successful read NG LED (red) illuminates for failed reading with an error message output
	Buzzer	Notifies a successful reading with a buzzer sound (Muting available)
Power supply specification	Power voltage	4.5 to 5.5 VDC
	Consumption current	During operation: 500 mA or less; during standby: 300 mA or less
Environmental specifications	Ambient temperature	At operation: 0 to + 45°C; At storage: 2 to + 60°C
	Ambient humidity	At operation and storage: 20 to 85% RH (with no icing or condensation)
	Ambient atmosphere	No corrosive gases
	Ambient light resistance	10,000 lx (fluorescent lamp), 100,000 lx (sunlight)
	Vibration resistance	12 to 100 Hz, 19.6 m/s ² (2G), 1 hour each in three directions
Degree of protection	IP54 (IEC60529)	

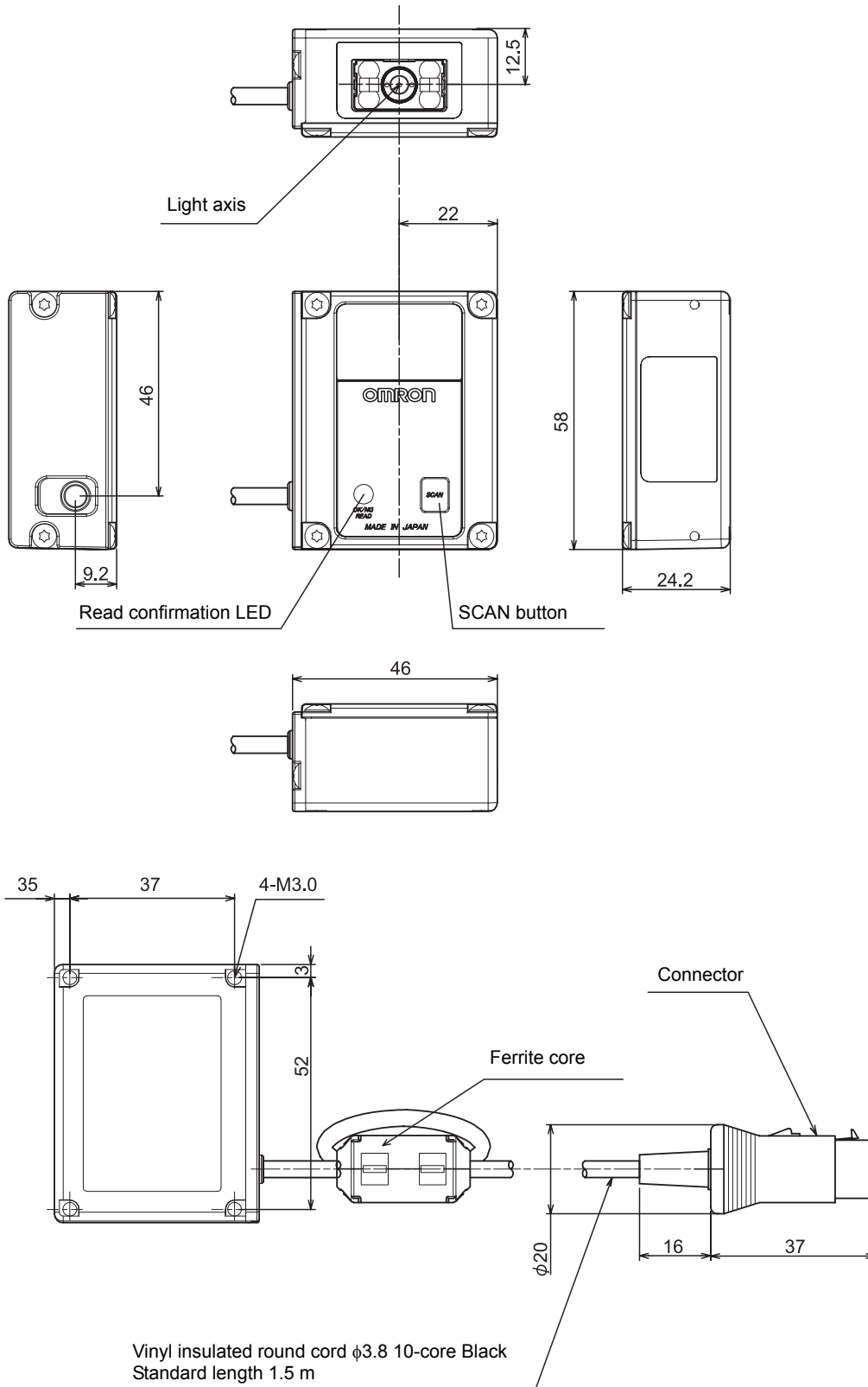
Weight	Approximately 270 g (including cables, ferrite core, mounting bracket, insulation board and screws)	
Dimensions	58 × 46 × 24.2 m	
Code length	Approximately 1.5 m	
Input connector	Round DIN connector	
Accessories	Operation manual, ferrite core, menu sheet, mounting bracket, insulation board, M3 × 8 screws (four), M5 × 10 screws (two)	
Material	Case	Aluminum die-cast (ADC12)
	Reading window	PMMA
	Cable	Polyvinyl chloride (PVC)

* Unless otherwise specified, the reading performance is defined with angle $\alpha = 0^\circ$, $\beta = +15^\circ$, $r = 0^\circ$, $R = \infty$; illuminance: 1000 to 1500 lx (on label side); lighting: three band inverter fluorescent lamp; reading rate: 70% or more.

External Dimension

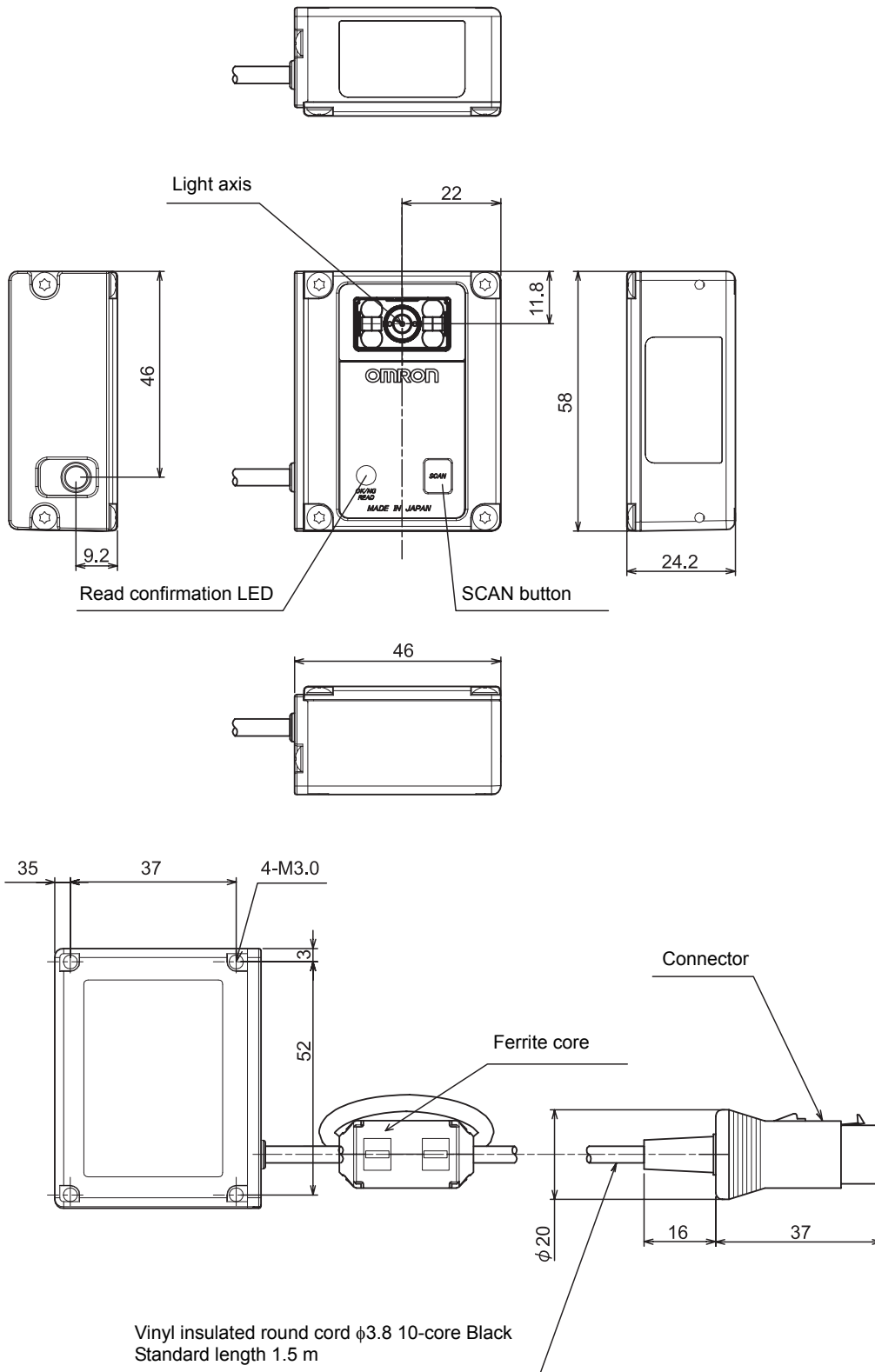
Multi-code Reader
V400-R1CF

(Unit: mm)



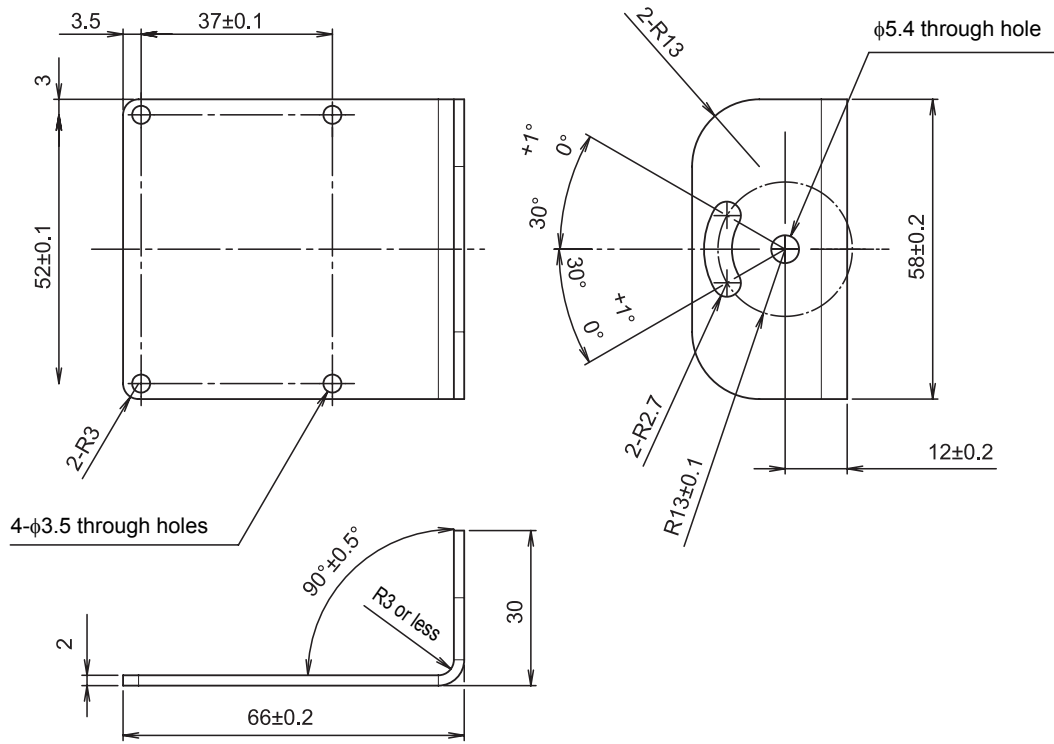
Multi-code Reader
V400-R1CS

(Unit: mm)



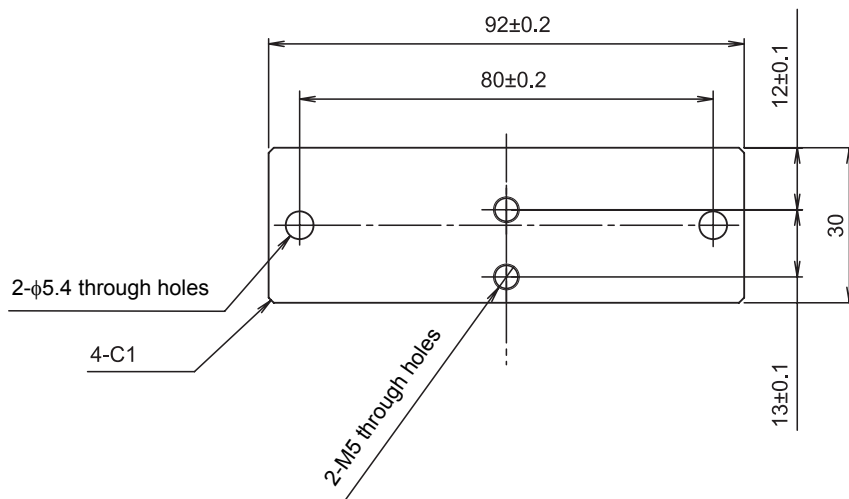
Mounting bracket

(Unit: mm)



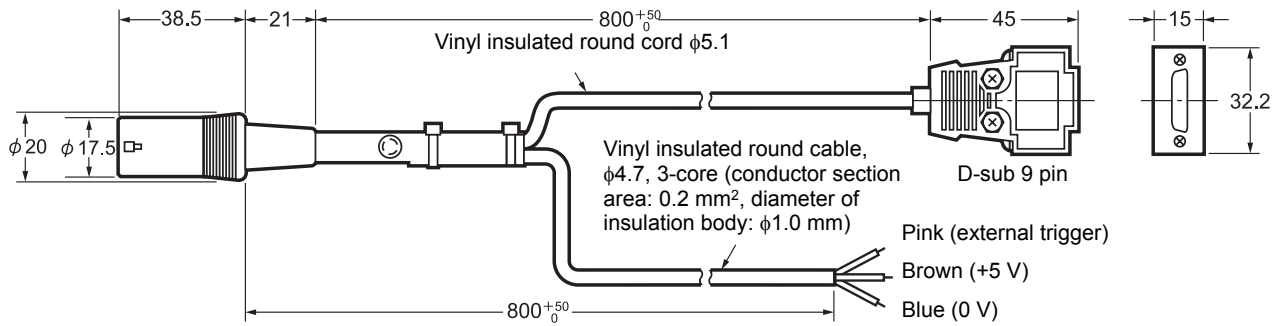
Base

(Unit: mm)



Cable for programmable controller connection made by OMRON
V509-W011

(Unit: mm)

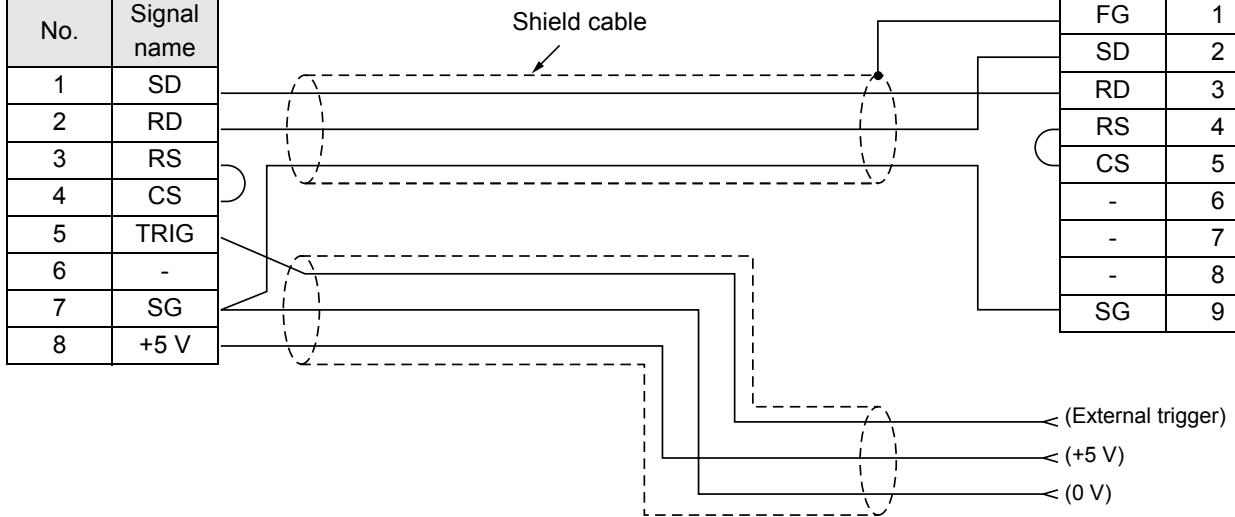


Reader side
DIN 8-pin connector

No.	Signal name
1	SD
2	RD
3	RS
4	CS
5	TRIG
6	-
7	SG
8	+5 V

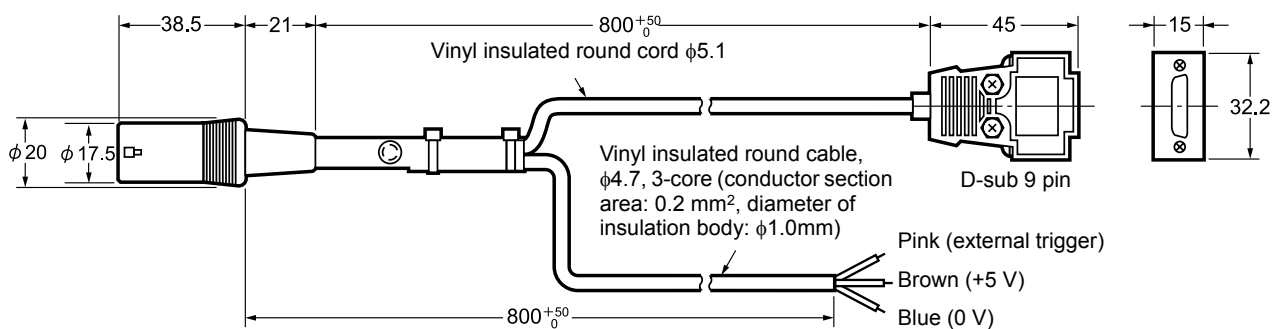
Upper equipment side
D-sub 9 pin

Signal name	No.
FG	1
SD	2
RD	3
RS	4
CS	5
-	6
-	7
-	8
SG	9



Cable for connecting PC/AT compatible
V509-W011D

(Unit: mm)

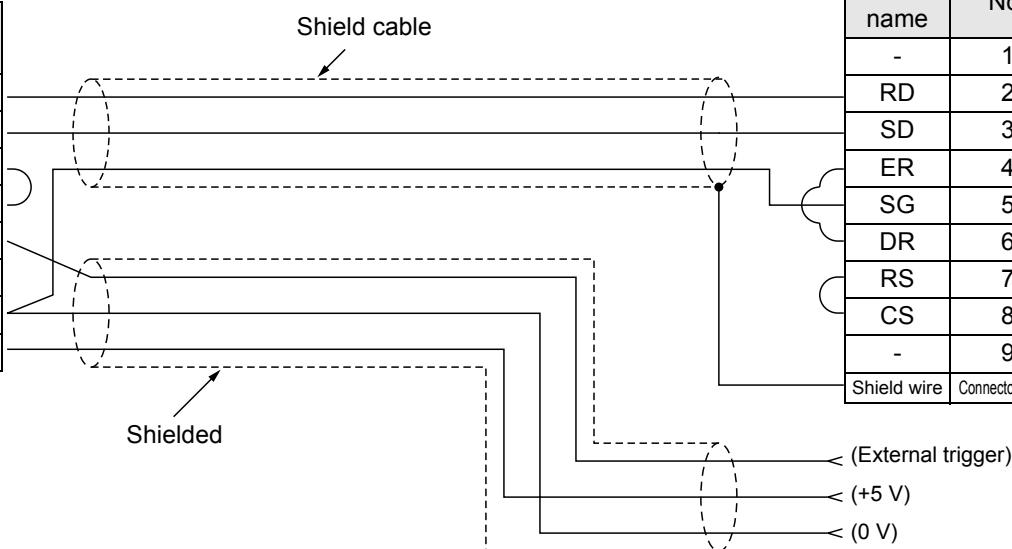


Reader side
DIN 8-pin connector

No.	Signal name
1	SD
2	RD
3	RS
4	CS
5	TRIG
6	-
7	SG
8	+5 V

Upper equipment side
D-sub 9 pin

Signal name	No.
-	1
RD	2
SD	3
ER	4
SG	5
DR	6
RS	7
CS	8
-	9
Shield wire	Connector Cover



ASCII Code Table

Data read via RS-232C communications is output in ASCII code.

The table below shows one-to-one correspondence between each character and the ASCII code used.

Examples:

- For read data "A": Hexadecimal "41" is output.
- For read data "T": Hexadecimal "54" is output.

		Upper 4 bits							
		0	1	2	3	4	5	6	7
Lower 4 bits	0		D _E		0	@	P	`	p
	1	S _H	D ₁	!	1	A	Q	a	q
	2	S _X	D ₂	"	2	B	R	b	r
	3	E _X	D ₃	#	3	C	S	c	s
	4	E _T	D ₄	\$	4	D	T	d	t
	5	E _Q	N _K	%	5	E	U	e	u
	6	A _K	S _N	&	6	F	V	f	v
	7	B _L	E _B	'	7	G	W	g	w
	8	B _S	C _N	(8	H	X	h	x
	9	H _T	E _M)	9	I	Y	i	y
	A	L _F	S _B	*	:	J	Z	j	z
	B	H _M	E _C	+	;	K	[k	{
	C	C _L	F _S	,	<	L	¥	l	!
	D	C _R	G _S	-	=	M]	m	}
	E	S _O	R _S	.	>	N	^	n	~
	F	S _I	U _S	/	?	O	_	o	

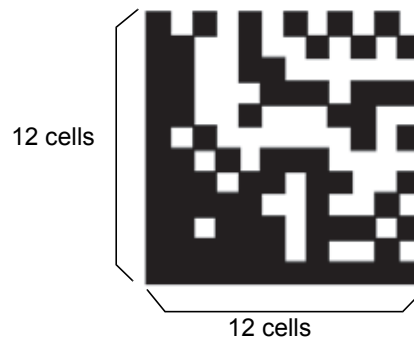
Quick-Reference Tables of Data Capacities

The maximum amount of data that can be stored in a code varies with the symbol size. The character types, order and combinations of different characters also affects the data capacity. The relation between symbol size (number of cells) and data capacity is shown in the table below.

■ DataMatrix

▪ DataMatrix ECC200

In this example, the symbol size is 12 × 12 cells.

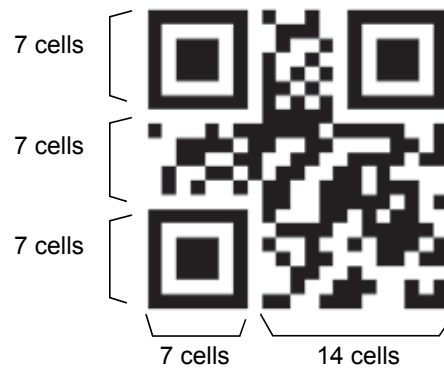


Symbol size	Maximum data capacity				
	Numbers	Alphanumeric characters	Symbols	Kanji (two bytes)	Kana (one byte)
10 × 10	6	3	3	-	1
12 × 12	10	6	5	1	3
14 × 14	16	10	9	3	6
16 × 16	24	16	14	5	10
18 × 18	36	25	22	8	16
20 × 20	44	31	28	10	20
22 × 22	60	43	38	14	28
24 × 24	72	52	46	17	34
26 × 26	88	64	57	21	42
32 × 32	124	91	81	30	60
36 × 36	172	127	113	42	84
40 × 40	228	169	150	56	112
44 × 44	288	214	190	72	142
48 × 48	348	259	230	86	172
52 × 52	408	304	270	101	202
64 × 64	560	418	372	139	278
8 × 18	10	6	5	1	3
8 × 32	20	13	12	4	8
12 × 26	32	22	20	7	14
12 × 36	44	31	28	10	20
16 × 36	64	46	41	15	30
16 × 48	98	72	64	23	47

■ QR Code

■ QR Code Model 2

In this example, the symbol size is 21 x 21 cells (version 1).



Symbol size (version)	Error correction level (ECC level)	Maximum data capacity			
		Numbers	Alphanumeric characters (upper case only)	8 bits (byte)	Kanji
21 × 21 (version 1)	L (7%)	41	25	17	10
	M (15%)	34	20	14	8
	Q (25%)	27	16	11	7
	H (30%)	17	10	7	4
25 × 25 (version 2)	L (7%)	77	47	32	20
	M (15%)	63	38	26	16
	Q (25%)	48	29	20	12
	H (30%)	34	20	14	8
29 × 29 (version 3)	L (7%)	127	77	53	32
	M (15%)	101	61	42	26
	Q (25%)	77	47	32	20
	H (30%)	58	35	24	15
33 × 33 (version 4)	L (7%)	187	114	78	48
	M (15%)	149	90	62	38
	Q (25%)	111	67	46	28
	H (30%)	82	50	34	21
37 × 37 (version 5)	L (7%)	255	154	106	65
	M (15%)	202	122	84	52
	Q (25%)	144	87	60	37
	H (30%)	106	64	44	27
41 × 41 (version 6)	L (7%)	322	195	134	82
	M (15%)	255	154	106	65
	Q (25%)	178	108	74	45
	H (30%)	139	84	58	36

Symbol size (version)	Error correction level (ECC level)	Maximum data capacity			
		Numbers	Alphanumeric characters (upper case only)	8 bits (byte)	Kanji
45 × 45 (version 7)	L (7%)	370	224	154	95
	M (15%)	293	178	122	75
	Q (25%)	207	125	86	53
	H (30%)	154	93	64	39
49 × 49 (version 8)	L (7%)	461	279	192	118
	M (15%)	365	221	152	93
	Q (25%)	259	157	108	66
	H (30%)	202	122	84	52
53 × 53 (version 9)	L (7%)	552	335	230	141
	M (15%)	432	262	180	111
	Q (25%)	312	189	130	80
	H (30%)	235	143	98	60
57 × 57 (version 10)	L (7%)	652	395	271	167
	M (15%)	513	311	213	131
	Q (25%)	364	221	151	93
	H (30%)	288	174	119	74

Source: 2D Codes, Basic Specifications for QR Code (JIS × 0510)



Maximum data capacity

The maximum amount of data that can be stored in a 2D code varies with the symbol size. In other words, if there is a large amount of data to be stored, then the symbol size must also be large.

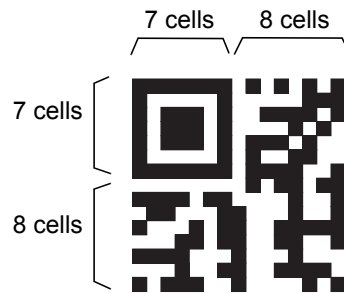
The maximum data capacity will also vary with the type of characters used. With a QR Code or DataMatrix, the numeric capacity (numbers only) is larger than the alpha numeric capacity (numbers and letters), which is in turn larger than the Japanese Kanji capacity.

The order and combinations of different characters also affects the data capacity.

■ Micro QR Code

▪ Micro QR Code

In this example, the symbol size is 15 × 15 cells (version 3).



Symbol size (version)	Error correction level (ECC level)	Maximum data capacity			
		Numbers	Alphanumeric characters (upper case only)	8 bits (byte)	Kanji
11 × 11 (version 1)	-	5	-	-	-
13 × 13 (version 2)	L	10	6	-	-
	M	8	5	-	-
15 × 15 (version 3)	L	23	14	9	6
	M	18	11	7	4
17 × 17 (version 4)	L	35	21	15	9
	M	30	18	13	8
	Q	21	13	9	5

MEMO

Index

Numerics

2D code 11, 51, 100

A

ACK/NAK system 47, 81

AND verification 68

ASCII Code Table 107

B

Bar code 11, 100

Basic configuration 18

Buzzer 74

C

C/D 63

Cell size 11

Check digit 63

CODE128 25

CODE39 25, 51

CODE93 25

Command 54

Command input 39, 55

Communication conditions 79

Communication protocol 47, 81

Communication speed 79

Communication time 48

Communication with upper equipment
31, 34, 51

Connecting cable 18

PC 18

Programmable controller 18

Connection

PC 31

Programmable controller 32

Consumption current 100

Continuous reading 36, 46, 68

CS1 32

Curvature 28, 100

D

Data length 80

DataMatrix 24, 108

Decoding failure 72

Direct code designation 84

E

EAN 24, 51

EAN128 51

Effective duration 36

Effective duration designation system 36

Effective duration of reading 36

End setting 57

Example of program 34

External Dimension 102

External trigger signal 36, 57

F

Factory default setting 58

Failed reading 51, 72

Flow chart 44

Footer 82

Frame 71

Front view type 19

H

Header 82

Height 11

I

Initial setting 58

Input circuit 30

Installation 40, 41

Insulation board 41

Inverted code 67

ITF 25, 51

J

JAN 24, 51

L

Label 11

Label registration 78

M

Main cable 19

Maintenance 98

Margin 11

Matrix size 11

Menu sheet 54

Micro QR code 24, 111

Mounting bracket 40

N

Narrow bar 11, 26

No label 72

No protocol system 47, 81

Nonprocedural system 47

Nonvolatile memory 57

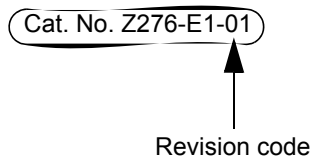
Number of digits 83

- Number of reading digits 73, 100
- NW-7 25, 51
- O
- Output circuit 30
- Output format 50
- P
- Parity 80
- PC
 - Connecting cable 18, 106
 - Connection 31
 - Wiring 31
- PDF417 code 24
- Pin arrangement 29
- Pitch angle 27, 100
- Plural reading 36, 45, 68
- Plural reading reset time 71
- Power supply 18
- Programmable controller
 - Connecting cable 18, 105
 - Connection 32
 - System settings 33
 - Wiring 32
- Protocol 47, 81
- Q
- QR code 24, 109
- Quick-Reference Tables of Data Capacities 108
- R
- Read confirmation LED 19
- READ NG output 29
- READ OK LED 74
- READ OK output 29
- READ OK signal 76
- Reading angle 27
- Reading coincidence 68
- Reading operation 36, 68
- Reading permission/prohibition 60
- Reading range 26
- Reading rate measurement mode 35
- Reading system 36
- Reading trigger 50
- Reading valid time 36, 69
- Reading window 19
- Ready/Busy system 81
- RS-232C command 36
- RSS codes 25
- RSS-14 stacked 25
- RSS-14 standard 25
- RSS-14 truncated 25
- RSS-Expanded 25
- RSS-Limited 25
- S
- SCAN button 19
- Side view type 19
- Single reading 36, 44, 68
- Skew angle 27, 100
- ST/SP 63
- Start code 63
- Start setting 57
- STF 25, 51
- Stop bit 80
- Stop code 63
- Supported code list 24
- T
- Tilt angle 28, 100
- Timing chart 48
- Trigger controlled system 36
- Trigger input method 36
- Trigger reading 36
- U
- UPC 24
- UPC-A 51
- UPC-E 51
- W
- Width 11
- Wiring
 - PC 31
 - Programmable controller 32

MEMO

Revision History

A manual revision code appears as a suffix to the catalog number at the bottom of the front and back covers.



Revision code	Date	Revised contents
01	January 2008	Original production